

# ARK1085CHFTSS



Sample image

**Order symbol :** ARK1085CHFTSS

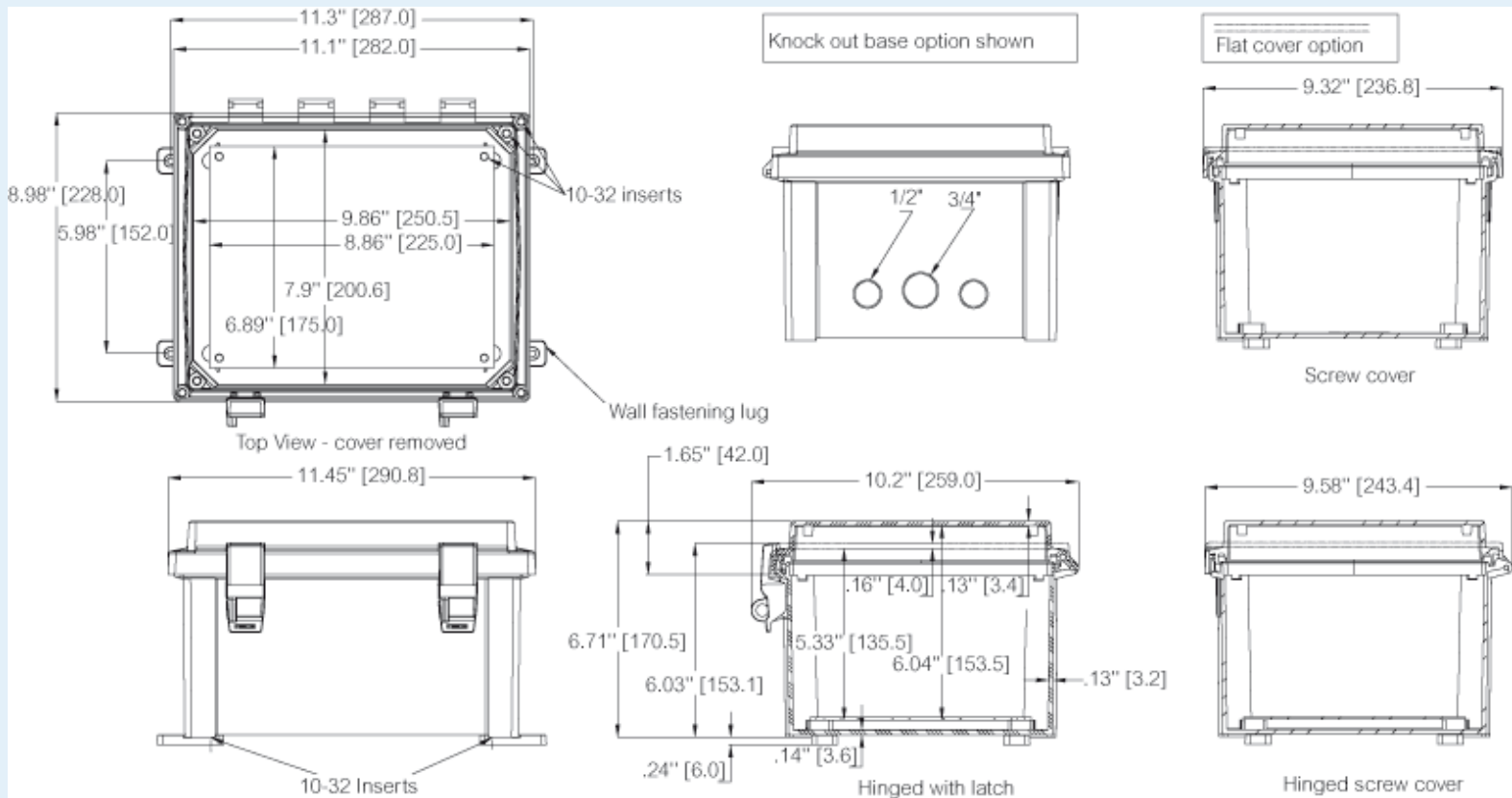
**Product nr :** 8561466

**Description :** PC Enclosure

**Remarks :** Hinged opaque flat cover w/S.S. Lockable twist latch, base includes 1/2 and 3/4 inch knock-outs

**EAN :** 6418074096425

**Including :** Hinged cover. Base with 10-32 brass inserts, latched flat cover with formed in place PUR gasket, stainless hinge pin. Base with 1/2 and 3/4 inch knock-outs. Quick release latches. Enclosure mounting foot kit. Accessory 10-32 screws for panel mounting.



Dimensions :	Height	Width	Depth
mm :	254	203	127
inch :	10	8	5

Accessories :	
ASPHK10	Swing Panel Kit w/o Panel
ABP108	Painted Steel Back Panel
ADFP108	Dead Front Panel w/ screws

**Materials :**

Material :	Polycarbonate
Base colour :	RAL 7035 -light grey
Cover colour :	RAL 7035 -light grey
Gasket material :	Polyurethane

ASP108	Aluminum Swing Panel
ASPK108	Swing Panel Kit incl. Panel
ALBP108	Aluminum Back Panel
AMFL8	8" Mounting Flange Set
APBP108	PVC Back Panel

**Temperatures :**

Temperature °C (short term) :	-40 ... 140
Temperature °C (continuous) :	-40 ... 80
Temperature °F (short term) :	-40 ... 250
Temperature °F (continuous) :	-40 ... 175

**Ratings :**

Ingress protection (EN 60529):	IP66; IP67;
Impact Resistance (EN 62262):	IK09;
electrical_insulation :	Totally insulated
Halogen free (DIN/VDE 0472, Part 815) :	Yes
UV resistance :	UL 508
Flammability Rating :	UL 508
Glow Wire Test (IEC 695-2-1) °C :	960 °C
NEMA Class	NEMA 4, 4X, 6, 6P, 12, 12K and 13