

AMG CM EX

Weidmüller Interface GmbH & Co. KG

Klingenbergstraße 26

D-32758 Detmold

Germany

www.weidmueller.com



Similar to illustration

Efficient machine and facility operation calls for fail-safe and maintenance-friendly control voltage distribution that can be installed in a time and space-saving manner.

With the new maxGUARD system, the terminal blocks (previously installed separately) for distributing potential to the outputs of the electronic load monitors become an integral part of a 24 V DC control voltage distribution system.

The innovative combination of load monitoring and potential distribution saves time during installation, increases safety against failure and reduces the amount of space required on the terminal rail by 50%.

General ordering data

Version	Control module, 24 V DC
Order No.	2083360000
Type	AMG CM EX
GTIN (EAN)	4050118419351
Qty.	1 pc(s).

AMG CM EX

Weidmüller Interface GmbH & Co. KG

Klingenbergstraße 26

D-32758 Detmold

Germany

www.weidmueller.com

Technical data

Dimensions and weights

Depth	96.5 mm	Depth (inches)	3.799 inch
Height	125 mm	Height (inches)	4.921 inch
Width	12.2 mm	Width (inches)	0.48 inch
Net weight	56 g		

Temperatures

Storage temperature	-40 °C...85 °C	Operating temperature	-40 °C...70 °C
Operating temperature, min.	-40 °C	Operating temperature, max.	70 °C

Input

Current consumption (full load)	225 mA	Current consumption (idle)	25 mA
DC input voltage range	18...30 V DC	Input fuse (internal)	No
Rated input voltage	24 V DC	Surge protection	Suppressor diode
max. admissible residual ripple at the input	100 mVpp		

Output

Connection system	PUSH IN	Surge protection	Suppressor diode
-------------------	---------	------------------	------------------

General data

Conformal coating	Yes	
Control inputs	ON/ OFF, Reset	
MTTF	According to Standard	SN 29500
	Operating time (hours), min.	3.551 Mh
	Ambient temperature	40 °C
	Input voltage	24 V
	Duty cycle	100 %
Power loss, idling	336 mW	
Power loss, nominal load	452 mW	
Protection degree	IP20	
Relay to activate the output	No	
Surge voltage category	III	

Insulation coordination

Surge voltage category	III
------------------------	-----

Connection data (input)

Conductor cross-section, AWG/kcmil , max.	12	Conductor cross-section, AWG/kcmil , min.	26
Conductor cross-section, flexible , min.	0.14 mm ²	Conductor cross-section, rigid , max.	2.5 mm ²
Conductor cross-section, rigid , min.	0.14 mm ²	Wire connection cross section, flexible (input), max.	2.5 mm ²

AMG CM EX

Weidmüller Interface GmbH & Co. KG
 Klingenbergstraße 26
 D-32758 Detmold
 Germany

www.weidmueller.com

Technical data

Connection data (output)

Conductor cross-section, AWG/kcmil , max.	12	Conductor cross-section, AWG/kcmil , min.	26
Conductor cross-section, flexible , max.	2.5 mm ²	Conductor cross-section, flexible , min.	0.14 mm ²
Conductor cross-section, rigid , max.	2.5 mm ²	Conductor cross-section, rigid , min.	0.14 mm ²
Connection system	PUSH IN	Number of terminals	2 (I< / Alarm)

Signalling

LED green	Red LED	Load monitoring has disconnected, Load monitoring has triggered (flashing), Internal error (rapid flashing)
Operation (failure-free), Early warning: I Out > 90% I Rated (flashing)		

Approbations

Certificate No. (ATEX)	DEMKO17ATEX1870X	Certificate no. (cULus)	E258476
Certificate no. (cULusEX)	E470829	Institute (cULus)	CULUS
Institute (cULusEX)	CULUSEX	Institute(ATEX)	DEMKOATEX

Classifications

ETIM 6.0	EC002057	ETIM 7.0	EC002057
ETIM 8.0	EC002057	ECLASS 9.0	27-37-10-16
ECLASS 9.1	27-37-10-16	ECLASS 10.0	27-37-10-16
ECLASS 11.0	27-37-10-16	ECLASS 12.0	27-37-10-16

Environmental Product Compliance

REACH SVHC	Lead 7439-92-1
SCIP	a7fff16c-85aa-4fb0-a206-7be03f4 1b0b7

Approvals

Approvals



ROHS	Conform
UL File Number Search	UL Website
Certificate no. (cULus)	E258476
Certificate no. (cULusEX)	E470829

AMG CM EX

Weidmüller Interface GmbH & Co. KG
Klingenbergstraße 26
D-32758 Detmold
Germany

www.weidmueller.com

Technical data

Downloads

Approval/Certificate/Document of Conformity	Declaration of Conformity
Engineering Data	CAD data – STEP
Engineering Data	WSCAD, EPLAN
User Documentation	Manual_maxGUARD Operating instructions
Catalogues	Catalogues in PDF-format

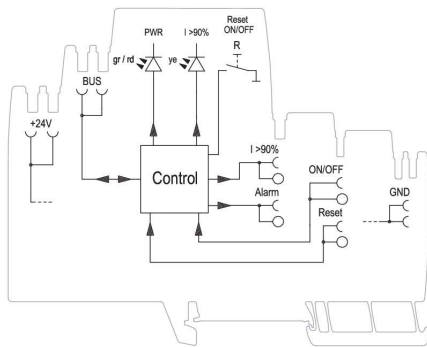
Data sheet

AMG CM EX

Weidmüller Interface GmbH & Co. KG
Klingenbergstraße 26
D-32758 Detmold
Germany

www.weidmueller.com

Drawings



Schematic circuit diagram