




SPECIFICATION SHEET

SPECIFICATION SHEET NO.	Q0715-SDF915M000S470
DATE	July 15, 2023
REVISION	A0
DESCRIPTION	SMD SAW Filter L3.0*W3.0*H1.25mm 3030 Type 6 Pads SDF Series 915.000MHz, Insertion Loss: 1.2 dB Typical Bandwidth: 30.0MHz Operating Temp. Range -40°C ~+85°C, Reflow Profile Condition 260 °C Max. Tape/Reel, 3000pcs/Reel RoHS/RoHS III compliant
CUSTOMER	
CUSTOMER PART NUMBER	
CROSS REF. PART NUMBER	
ORIGINAL PART NUMBER	TGS SDF 915.0MA TLF
PART CODE	SDF915M000S470

VENDOR APPROVE			
Issued/Checked/Approved			
DATE: July 15, 2023			

CUSTOMER APPROVE	
DATE:	

7/16/2023

SMD SAW FILTER 3030 TYPE SDF SERIES

MAIN FEATURE

- SMD SAW Filter L3.0*W3.0*H1.25mm 3030 Type 6 Pads
- Low-loss SAW Components
- Low Amplitude Ripple
- Sharp Rejection As Both Out-bands
- Usable Passband 30.00MHz
- Package code DCC6C
- Electronic Sensitive Device (ESD)
- Cross More Competitors Part
- RoHS/RoHS III Compliant



APPLICATION

- Bluetooth, wireless communication set
- Communication Electronics

RFQ

[Request For Quotation](#)

PART CODE GUIDE

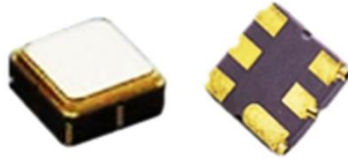
SDF	915M000	S	470
1	2	3	4

- 1) SDF: SMD SAW Filter L3.0*W3.0*H1.25mm 3030 Type 6 Pads SDF Series
- 2) 915M000: Frequency range code for 915.000MHz
- 3) S: SMD type, Package Tape/Reel,
- 4) 470: Internal code (A~Z or 1~9 or Blank) for custom specification

SMD SAW FILTER 3030 TYPE SDF SERIES

DIMENSION (Unit: mm, Tol.: +-0.15mm)

Image for reference



Marking

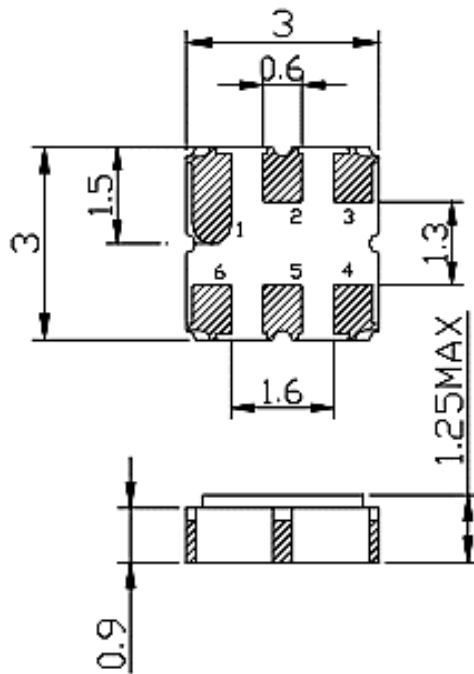
Line 1: Internal code

Line 2: ● Pin 1 + Special code

SDF series

L3.0*W3.0*H1.25mm

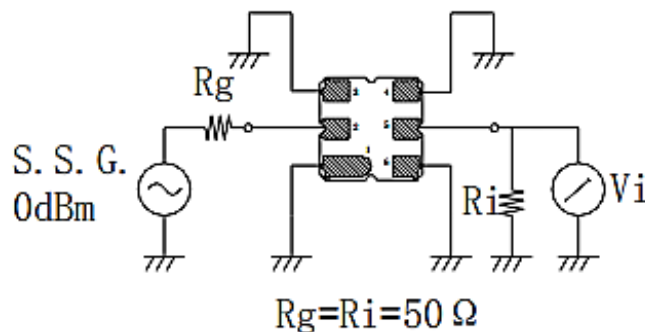
3030 Type



Pin	Configuration
2	Input
5	Output
1,3,4,6	Ground

Test Circuit

(Bottom View)



SMD SAW FILTER 3030 TYPE SDF SERIES
ELECTRICAL PARAMETERS

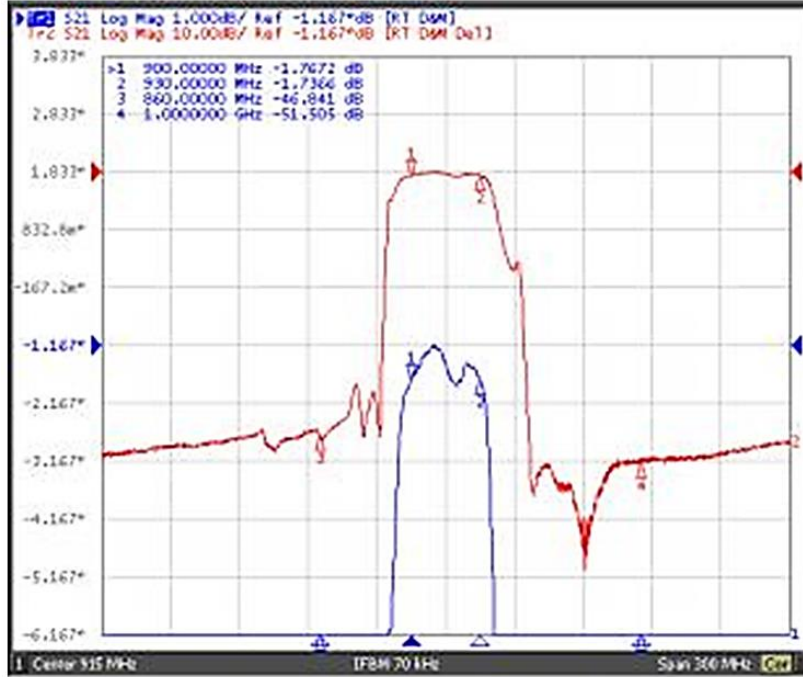
Parameter	Part No. Symbol	Units	Value			
			Min.	Typical	Max.	
Original Manufacturer	TGS		TGS Crystals			
Holder Type	SDF		SMD SAW Filter, L3.0*W3.0*H1.25mm 3030 Type 6 Pads			
Center Frequency (fc)	915.0M	MHz	915.0000			
DC Voltage (VDC)	A	V		5.0		
Operation Temperature Range (T)		°C	-40		+85	
Storage Temperature Range (Tstg)		°C	-40		+85	
RF Power Dissipation (P)		dBm		20		
Insertion Loss (Min.) (IL)		dB		1.2	2.0	
Insertion Loss 900.00 -930.00MHz (IL)		dB		1.8	3.0	
Amplitude Ripple(p-p) 900.00 -930.00 MHz ($\Delta\alpha$)		dB		0.6	1.0	
Bandwidth		MHz		30.000		
Group Delay Ripple 900.00 -930.00 MHz (GDR)		ns		15.0	35.0	
Amplitude Consistency		dB		/		
Aging (Absolute Value during the First Year)		ppm/y		$\leq\pm 10$		
Input VSWR 900.00 -930.00 MHz				1.6:1.0	2.0:1.0	
Output VSWR 900.00 -930.00 MHz				1.6:1.0	2.0:1.0	
Absolute Attenuation (α)		DC - 860.00 MHz	dB	40.0	45.0	
		1000.00~ 2000.00 MHz		40.0	45.0	
		2000~ 3000.00 MHz		30.0	35.0	
Package	T		Tape/Reel			
RoHS Status	LF		RoHS III compliant			
Add Value			Blank: N/A			
Internal Control Code			Blank: N/A			

Electronic Characteristics: 1) Test Temperature: 25°C±2°C 2) Terminating source impedance: 50Ω 3) Terminating load impedance: 50Ω

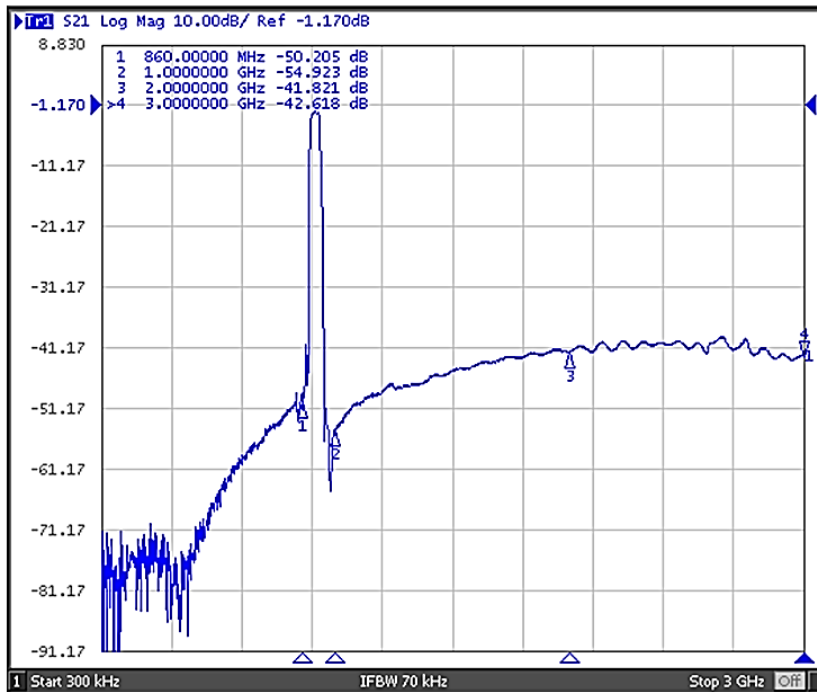
7/16/2023

SMD SAW FILTER 3030 TYPE SDF SERIES

FREQUENCY CHARACTERISTICS



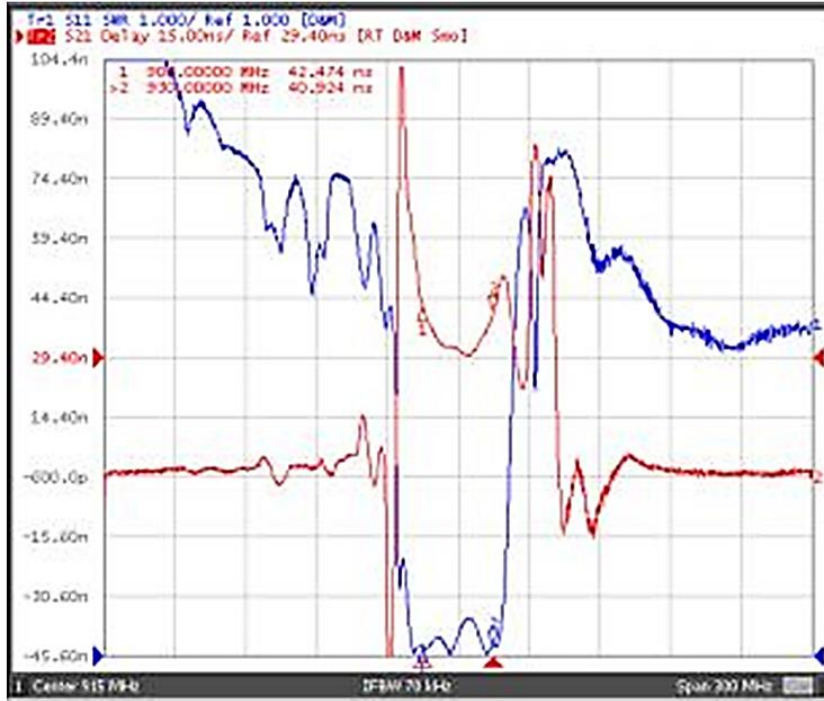
Frequency Response



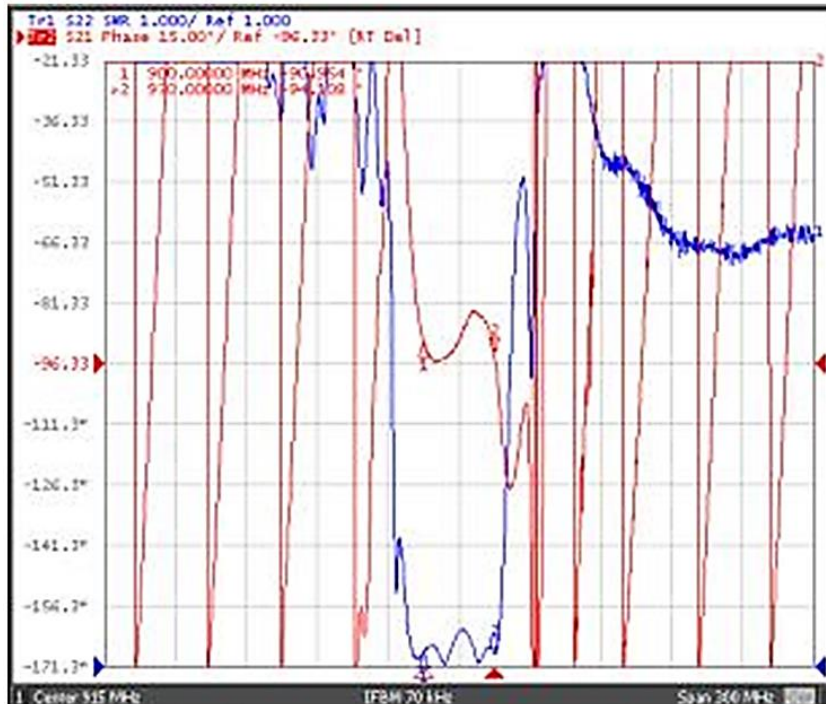
Frequency Response (wideband)

SMD SAW FILTER 3030 TYPE SDF SERIES

FREQUENCY CHARACTERISTICS



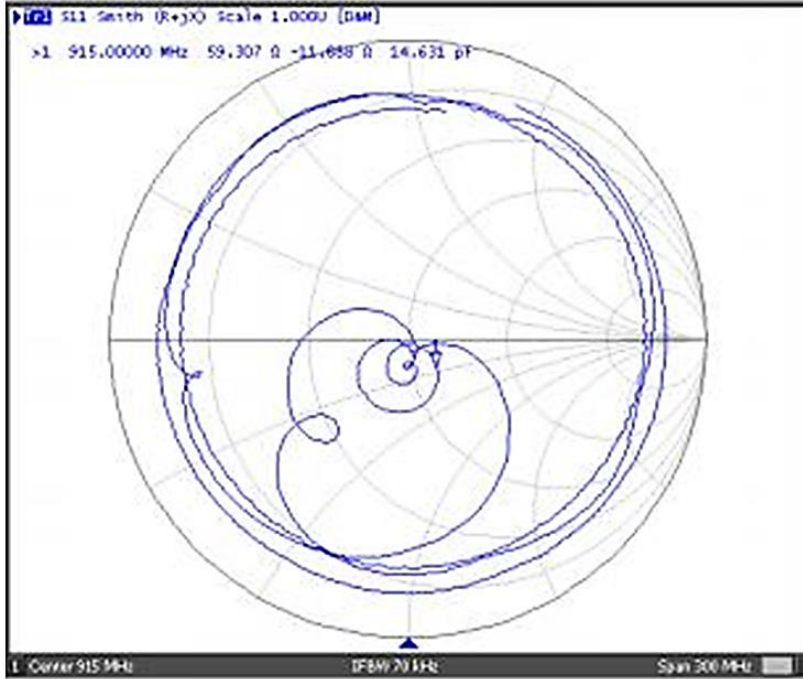
Delay Ripple & S11 VSWR



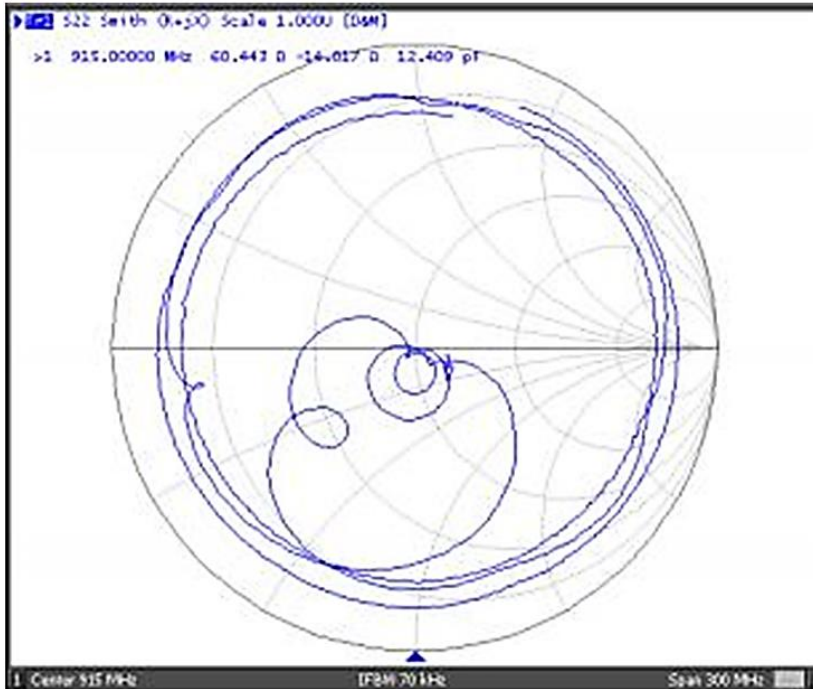
Phase Linearity & S22 VSWR

SMD SAW FILTER 3030 TYPE SDF SERIES

FREQUENCY CHARACTERISTICS



S11 Smith Chart



S22 Smith Chart

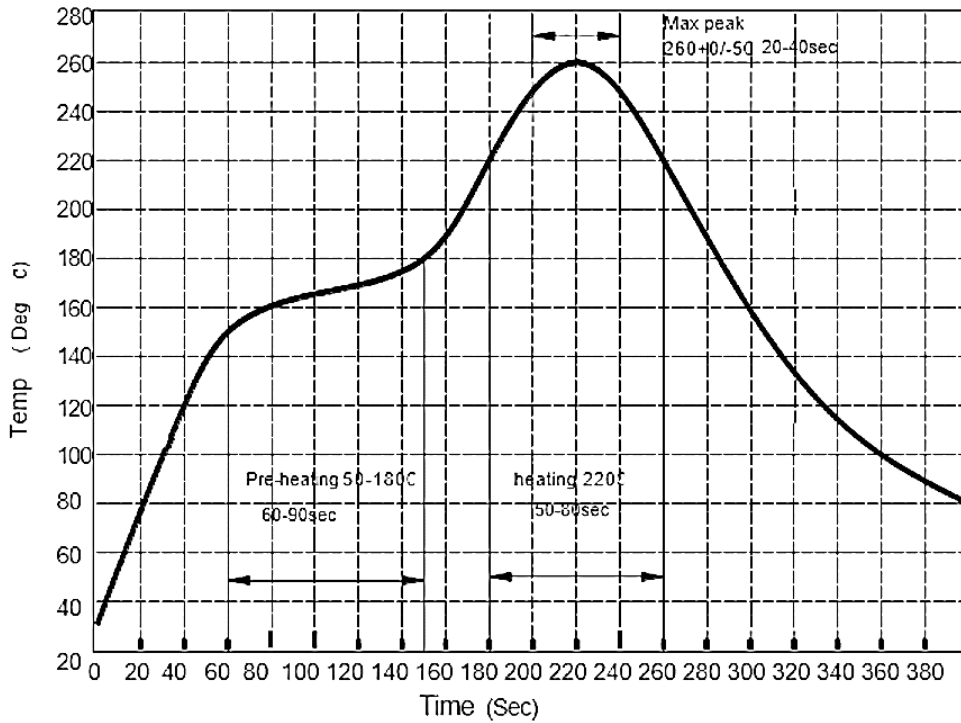
SMD SAW FILTER 3030 TYPE SDF SERIES

RELIABILITY

Test Items	Test Method And Conditions	Requirement
Temperature Storage	(1) Temperature: 85°C±2°C , Duration: 250h , Recovery time: 2h±0.5h (2) Temperature: -55°C±3°C , Duration: 250h ,Recovery time: 2h±0.5h	It shall remain electrical performance after tests
Humidity Test	Conditions: 60°C±2°C , 90~95% RH Duration: 250h	
Thermal Shock	Heat cycle conditions: TA=-55°C±3°C, TB=85°C±2°C, t1=t2=30min, Switch time: ≤3min, Cycle time: 100 times, Recovery time: 2h±0.5h.	
Vibration Fatigue	Frequency of vibration: 10~55Hz Amplitude:1.5mm Directions: X,Y and Z Duration: 2h	
Drop Test	Cycle time: 10 times Height: 1.0m	
Solderability	Temperature: 245°C±5°C Duration: 3.0s--5.0s Depth: DIP--2/3 , SMD--1/5	
Resistance to Soldering Heat	(1)Thickness of PCB:1mm , Solder condition: 260°C±5°C , Duration: 10±1s (2)Temperature of Soldering Iron: 350°C±10°C , Duration: 3~4s , Recovery time : 2 ± 0.5h	

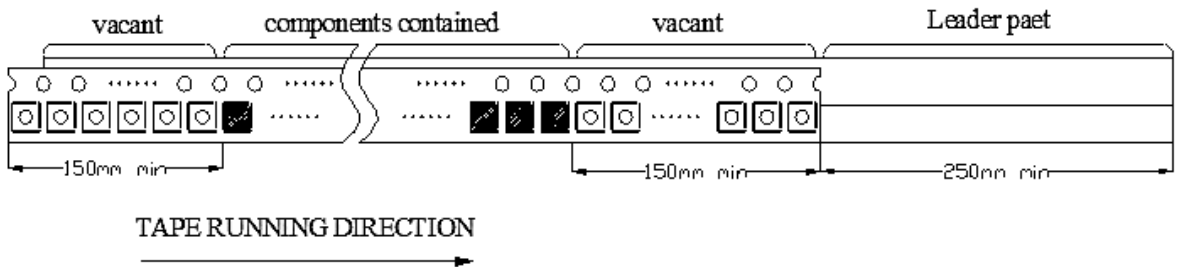
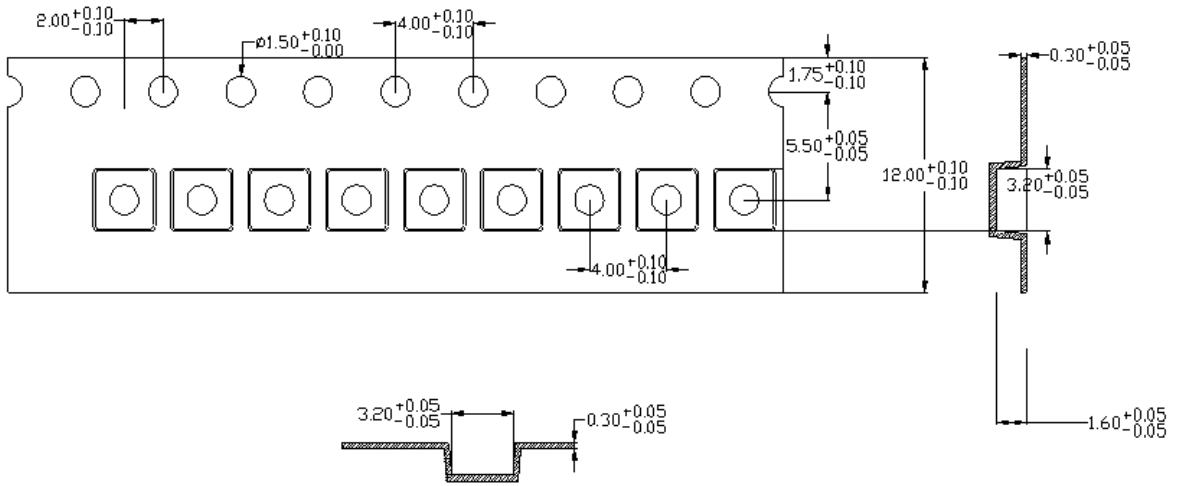
SMD SAW FILTER 3030 TYPE SDF SERIES

SUGGESTED REFLOW PROFILE (For Reference Only)

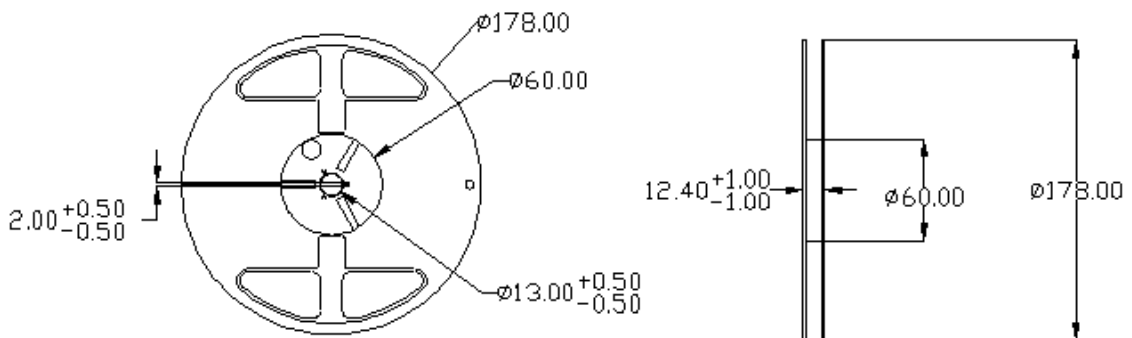


SMD SAW FILTER 3030 TYPE SDF SERIES

TAPE DIMENSION (Unit: mm, 3000pcs/Reel)



REEL DIMENSION (Unit: mm)



SMD SAW FILTER 3030 TYPE SDF SERIES

CAUTION

1. As a result of the particularity of inner structure of SAW products, it easy to be breakdown by electrostatic, so we should pay attention to ESD protect in the test.
2. Static voltage between signal load and ground may cause deterioration and destruction of the component. Please avoid static voltage.
3. Ultrasonic cleaning may cause deterioration and destruction of the component. Please avoid ultrasonic cleaning.
4. Only leads of component may be soldered. Please avoid soldering another part of component.
5. There is a close relationship between the device's performance and matching network. The specifications of this device are based on the test circuit shown above. L and C values may change depending on board layout. Values shown are intended as a guide only.
6. The temperature of manual welding should not exceed 300 °C.
7. The specifications of this device are based on the test circuit shown above and subject to change or obsolescence without notice.
8. All equipment designs utilizing this product must be approved by the appropriate government agency prior to manufacture or sale.
9. Our liability is only assumed for the Surface Acoustic Wave (SAW) component(s) perse, not for applications, processes and circuits implemented within components or assemblies.
10. For questions on technology, prices and delivery, please contact our sales offices or e-mail: sales@NextGenComponent.com.

DISCLAIMER

NextGen Components, Inc. reserves the right to make changes to the product(s) and or information contained herein without notice. No liability is assumed as a result of their use or application. No rights under any patent accompany the sale of any such product(s) or information

7/16/2023

11