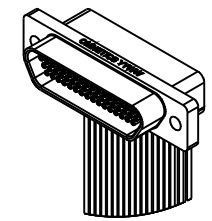
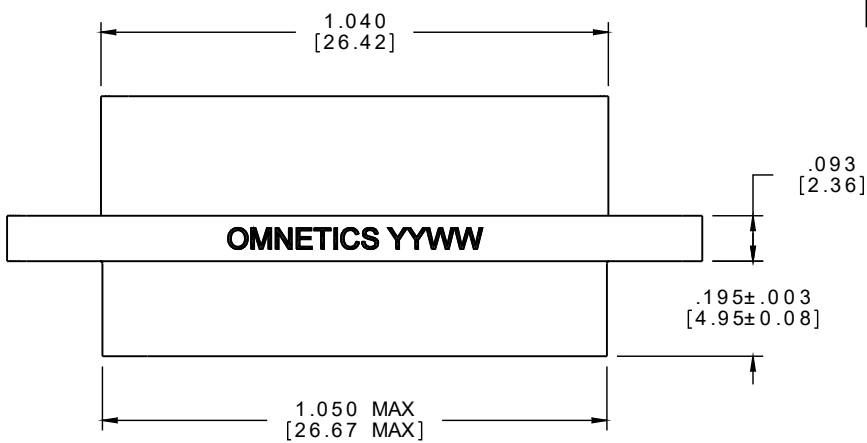
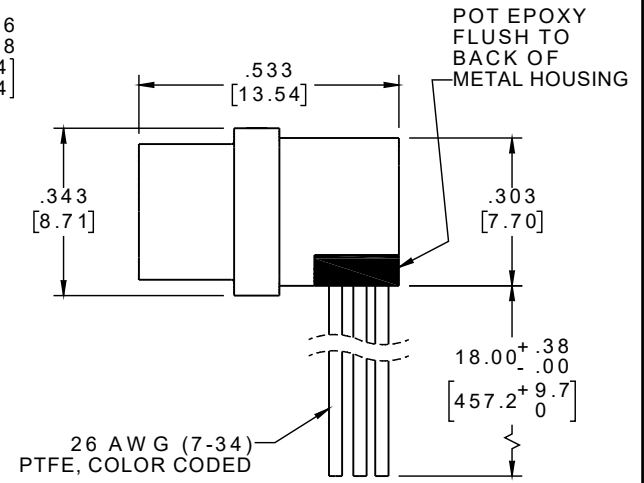
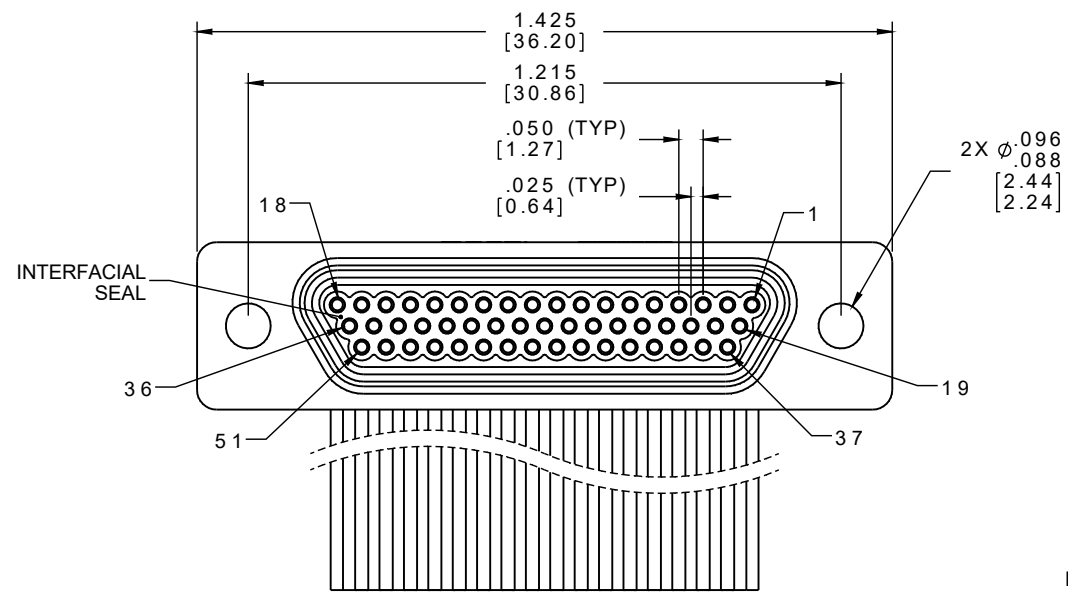


PART NO.	A99308-513	REV	ECO	DATE	APP
		A	103556	06-20-17	TLM



ACTUAL SIZE  
EXCLUDING WIRE LENGTH



RoHS

NOTE:  
DIMENSIONS IN [ ] ARE IN MILLIMETERS UNLESS OTHERWISE NOTED AND ARE FOR REFERENCE ONLY

THIRD ANGLE -TOLERANCES- UNLESS OTHERWISE NOTED DIMENSIONS IN INCHES 2 PL DEC+ .01 3 PL DEC+ .005 4 PL DEC+ .0005 ANGLES ± 1°	THIS DRAWING CONTAINS CONFIDENTIAL AND PROPRIETARY INFORMATION WHICH IS THE PROPERTY OF OMNETICS CONNECTOR CORP. THIS DOCUMENT MAY NOT, IN WHOLE OR IN PART, BE DUPLICATED, OR DISCLOSED FOR ANY PURPOSE, WITHOUT WRITTEN PERMISSION FROM OMNETICS CONNECTOR CORP.		TITLE: (51) SOCKET FEMALE MICRO-D CONNECTOR
	DFTM. ERB	DATE 01-11-17	
	CHK'D.	DATE	
	APP'D.	DATE	

**OMNETICS**  
CONNECTOR CORPORATION  
7260 COMMERCE CIRCLE EAST  
MINNEAPOLIS, MN 55432  
WWW.OMNETICS.COM

CAGE CODE 61873	REV
DWG NO. A99308-513	A
SHEET 1 OF 2	SCALE: 3:1