

**MATERIALS**

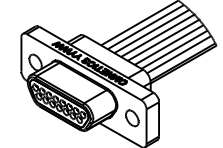
**HOUSING:**  
ALUMINUM 6061, NICKEL PLATE (500 MICRONS MINIMUM) PER SAE-AMS-2404

**INSULATOR:**  
LIQUID CRYSTAL POLYMER (LCP) PER ASTM D5138

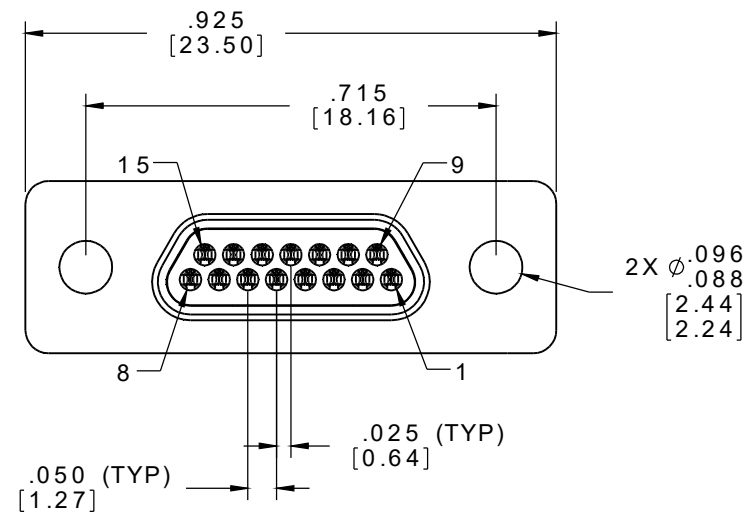
**CONTACT:**  
BERYLLIUM COPPER PER ASTM B194, C17200, GOLD PLATED PER ASTM B488, (HARD GOLD) TYPE II, CODE C, CLASS 1.27

**WIRE:**  
NEMA HP3 TYPE E, COLOR CODED IAW MIL-STD-681, SYSTEM 1, USING TEN SOLID REPEATING COLORS

PART NO.	A98407-015	REV	ECO	DATE	APP
		1			

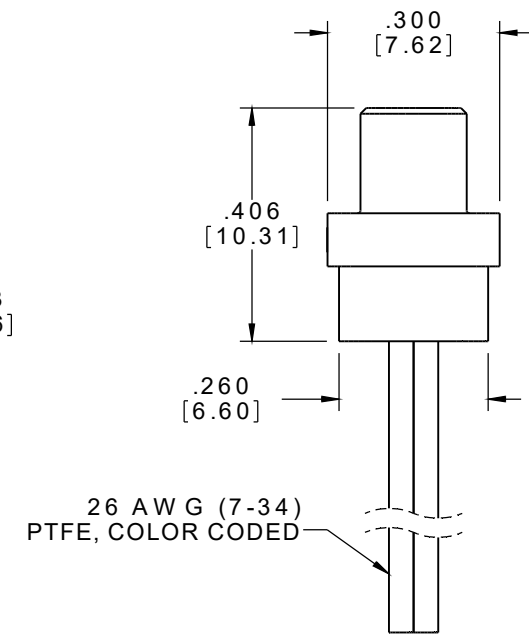
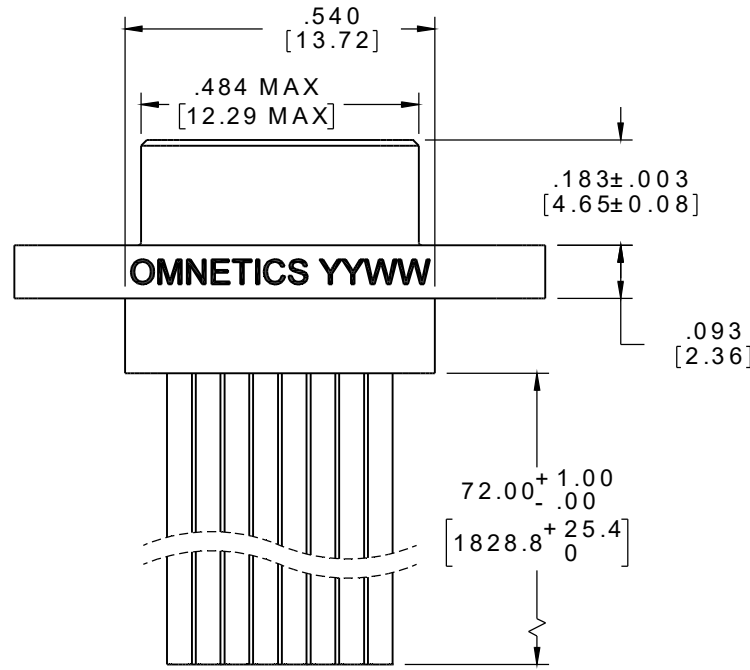


ACTUAL SIZE EXCLUDING WIRE LENGTH



PIN #	COLOR
1, 11	BLACK
2, 12	BROWN
3, 13	RED
4, 14	ORANGE
5, 15	YELLOW
6	GREEN
7	BLUE
8	VIOLET
9	GRAY
10	WHITE

**INTERNAL USE ONLY**  
USE MFG LOADING  
PROCEDURE MMDP-015



**RoHS**

**NOTES:**  
1. DIMENSIONS IN [ ] ARE IN MILLIMETERS UNLESS OTHERWISE NOTED AND ARE FOR REFERENCE ONLY

MMDP SLDW	THIRD ANGLE	THIS DRAWING CONTAINS CONFIDENTIAL AND PROPRIETARY INFORMATION WHICH IS THE PROPERTY OF OMNETICS CONNECTOR CORP. THIS DOCUMENT MAY NOT, IN WHOLE OR IN PART, BE DUPLICATED, OR DISCLOSED FOR ANY PURPOSE, WITHOUT WRITTEN PERMISSION FROM OMNETICS CONNECTOR CORP.
	-TOLERANCES-	
	UNLESS OTHERWISE NOTED	
	DIMENSIONS IN INCHES	
	TITLE:	(15) PIN MALE MICRO-D CONNECTOR W/MTG HOLES
	DFTM. DWP	
	DATE	05-25-23

**OMNETICS**  
CONNECTOR CORPORATION  
8840 EVERGREEN BLVD.  
MINNEAPOLIS, MN 55433  
WWW.OMNETICS.COM

DWG NO.	CAGE CODE 61873
A98407-015	
SHEET 1 OF 1	SCALE: 3:1
	REV 1