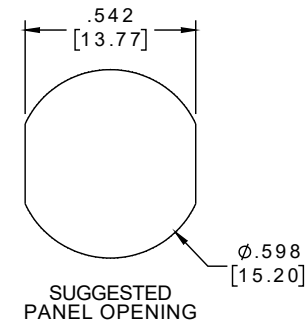
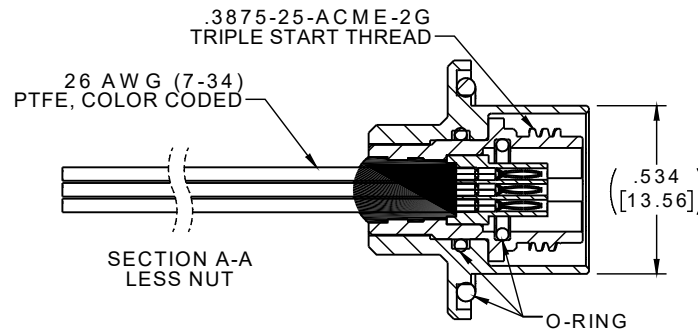
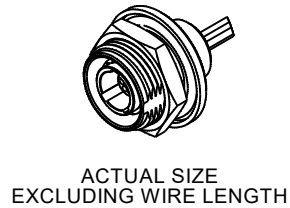
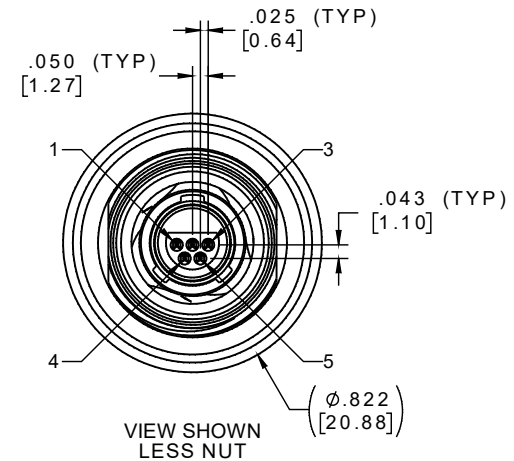
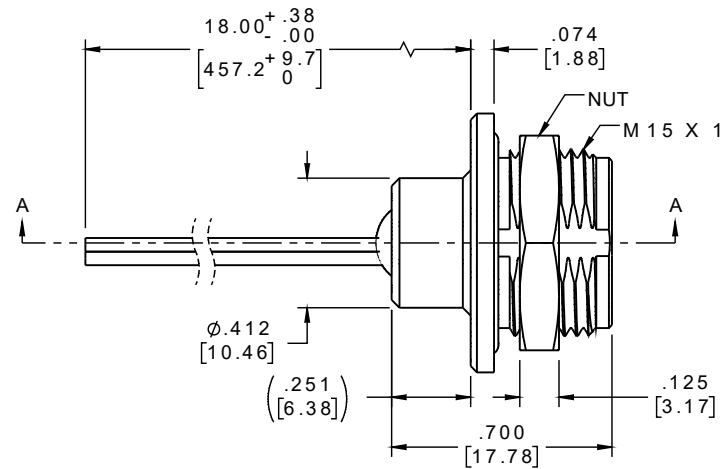


PART NO.	A22496-001	REV	ECO	DATE	APP
		A	103177	01-18-17	TLM

PIN #	COLOR
1	BLACK
2	BROWN
3	RED
4	ORANGE
5	YELLOW

INTERNAL USE ONLY  
USE MFG LOADING  
PROCEDURE MC-5P



**IP68**

NOTES:

DIMENSIONS IN [ ] ARE IN MILLIMETERS UNLESS OTHERWISE NOTED AND ARE FOR REFERENCE ONLY

RM/CP SL/DW	<b>THIRD ANGLE</b> <b>-TOLERANCES-</b> <small>UNLESS OTHERWISE NOTED</small> <small>DIMENSIONS IN INCHES</small>	<small>THIS DRAWING CONTAINS CONFIDENTIAL AND PROPRIETARY INFORMATION WHICH IS THE PROPERTY OF OMNETICS CONNECTOR CORP. THIS DOCUMENT MAY NOT, IN WHOLE OR IN PART, BE DUPLICATED, OR DISCLOSED FOR ANY PURPOSE, WITHOUT WRITTEN PERMISSION FROM OMNETICS CONNECTOR CORP.</small>		
	2 PL DEC ± .01 3 PL DEC ± .005 4 PL DEC ± .0005 ANGLES ± 1°	DFTM. WLE CHK'D. APP'D.	DATE <b>02-10-16</b> DATE DATE	TITLE: (5) PIN MALE MICRO TRIPLE THREAD, KEYED SEALED CIRCULAR CONNECTOR

**OMNETICS**  
 CONNECTOR CORPORATION  
 7260 COMMERCE CIRCLE EAST  
 MINNEAPOLIS, MN 55432  
 WWW.OMNETICS.COM

CAGE CODE 61873	REV
DWG NO. A22496-001	A
SHEET 1 OF 2	SCALE: 2:1