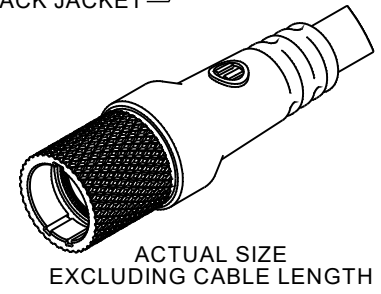
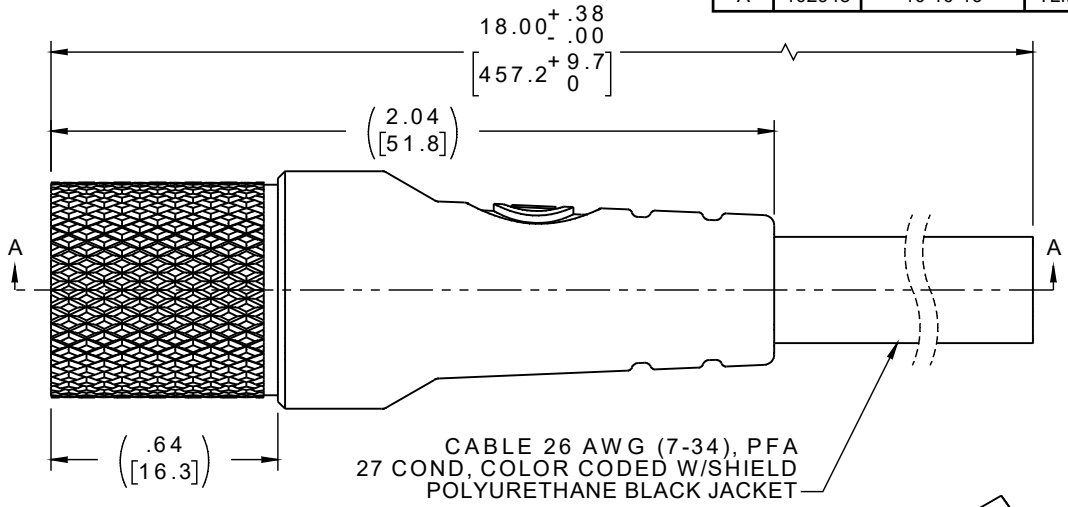
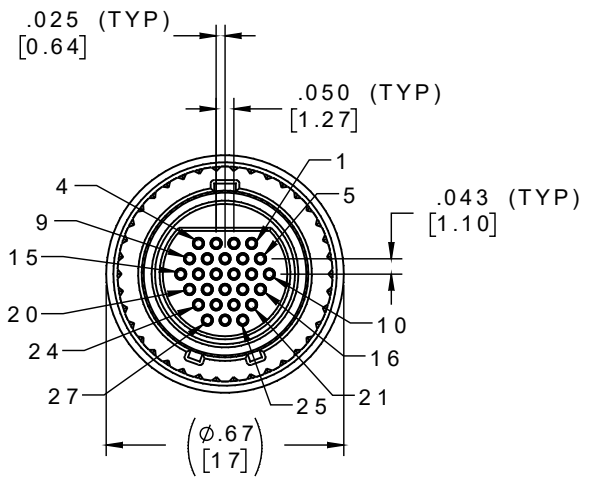
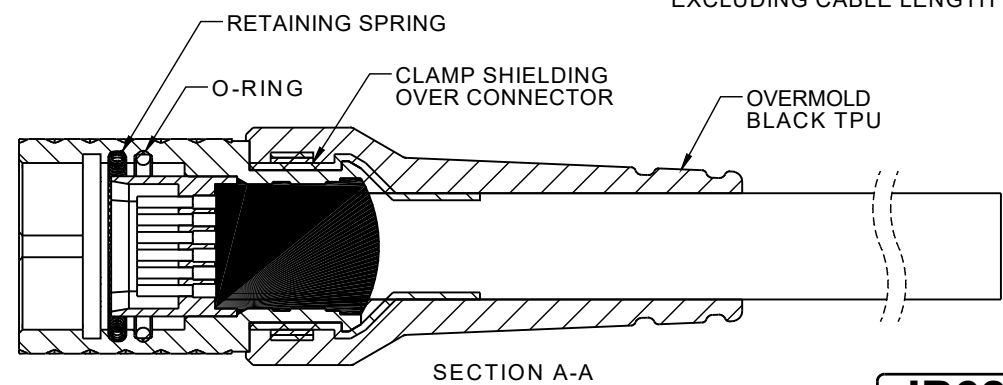


PART NO.	A22476-001	REV	ECO	DATE	APP
		A	102948	10-10-16	TLM



SOCKET #	COLOR	SOCKET #	COLOR
1	BLACK	15	WHT/YEL
2	BROWN	16	WHT/GRN
3	RED	17	WHT/BLU
4	ORANGE	18	WHT/VIO
5	YELLOW	19	WHT/GRY
6	GREEN	20	WHT/BLK/BRN
7	BLUE	21	WHT/BLK/RED
8	VIOLET	22	WHT/BLK/ORG
9	GRAY	23	WHT/BLK/YEL
10	WHITE	24	WHT/BLK/GRN
11	WHT/BLK	25	WHT/BLK/BLU
12	WHT/BRN	26	WHT/BLK/VIO
13	WHT/RED	27	WHT/BLK/GRY
14	WHT/ORG		



IP68

NOTES:

INTERNAL USE ONLY
USE MFG LOADING
PROCEDURE MC-27S-1

DIMENSIONS IN [] ARE IN MILLIMETERS UNLESS OTHERWISE NOTED AND ARE FOR REFERENCE ONLY

OVERMOLD PER IPC-WHMA-A-620, CLASS 3

KBMS SLDW	THIRD ANGLE	THIS DRAWING CONTAINS CONFIDENTIAL AND PROPRIETARY INFORMATION WHICH IS THE PROPERTY OF OMNETICS CONNECTOR CORP. THIS DOCUMENT MAY NOT, IN WHOLE OR IN PART, BE DUPLICATED, OR DISCLOSED FOR ANY PURPOSE, WITHOUT WRITTEN PERMISSION FROM OMNETICS CONNECTOR CORP.	DATE	TITLE: (27) SOCKET FEMALE MICRO BREAK AWAY SEALED CIRCULAR CONNECTOR
	-TOLERANCES-		DFTM. JPF	
	UNLESS OTHERWISE NOTED		DATE	
	DIMENSIONS IN INCHES		DATE	
	2 PL DEC ± .01		04-23-15	
	3 PL DEC ± .005			
	4 PL DEC ± .0005			
	ANGLES ± 1°			

OMNETICS
CONNECTOR CORPORATION
7260 COMMERCE CIRCLE EAST
MINNEAPOLIS, MN 55432
WWW.OMNETICS.COM

CAGE CODE 61873	REV A
DWG NO. A22476-001	
SHEET 1 OF 2	SCALE: 2:1