

MATERIALS

| | | | | | |
|----------|------------|-----|--------|----------|-----|
| PART NO. | A99341-513 | REV | ECO | DATE | APP |
| | | A | 104846 | 09-24-18 | TLM |

HOUSING:
ALUMINUM 6061, NICKEL PLATE
(500 MICROINCHES MINIMUM) PER
SAE-AMS-2404

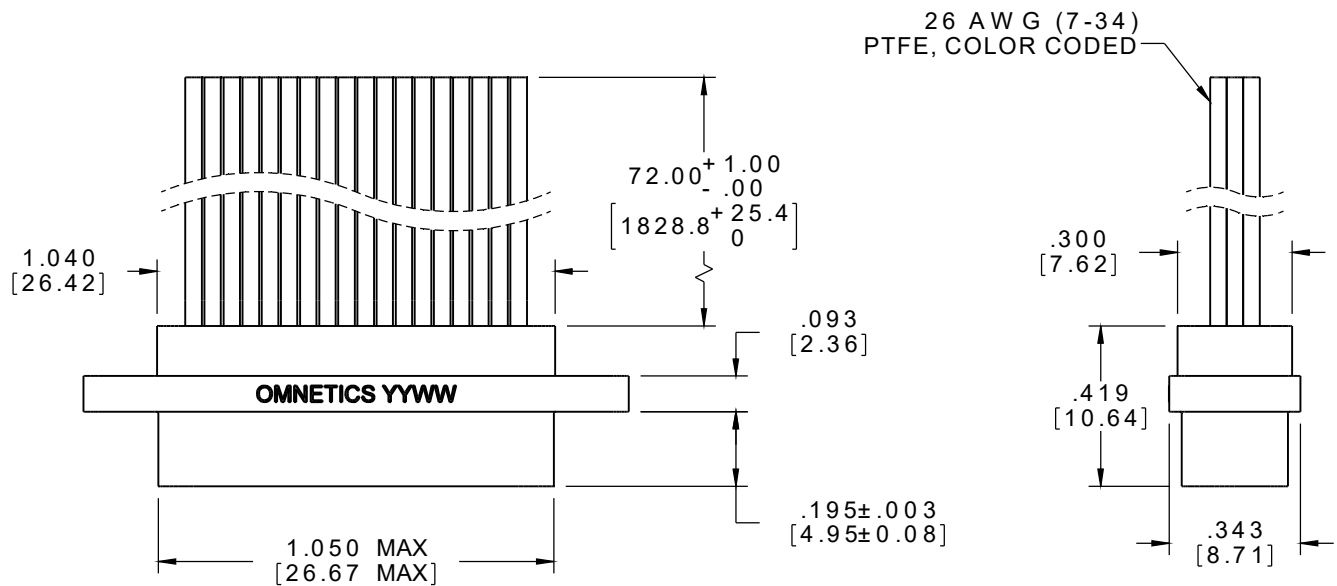
INSULATOR:
LIQUID CRYSTAL POLYMER (LCP)
PER ASTM D5138

CONTACT:
COPPER ALLOY PER MIL-DTL-
83513, GOLD PLATED PER ASTM
B488, (HARD GOLD) TYPE II CODE
C CLASS 1.27

WIRE:
NEMA HP3 TYPE E, COLOR CODED
IAW MIL-STD-681, SYSTEM 1,
USING TEN SOLID REPEATING
COLORS

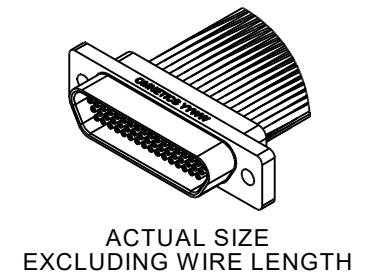
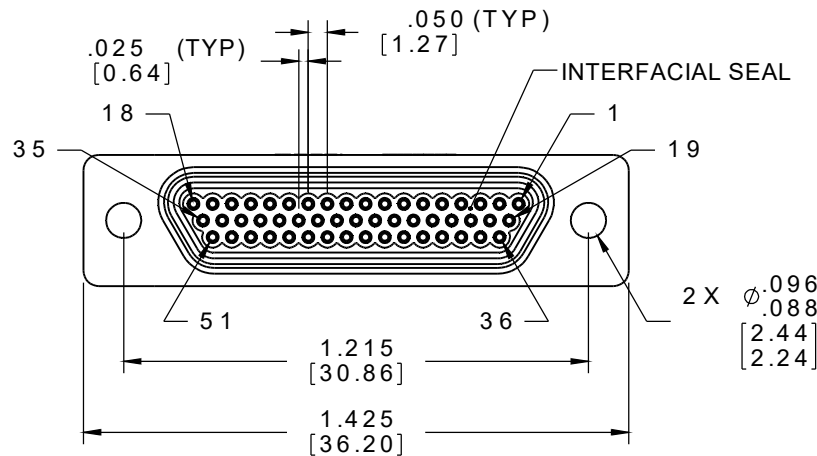
INTERFACIAL SEAL:
SILICONE RUBBER PER A-A-59588

HARDWARE:
AVAILABLE UPON REQUEST



| SOCKET # | COLOR |
|-----------------------|--------|
| 1, 11, 21, 31, 41, 51 | BLACK |
| 2, 12, 22, 32, 42 | BROWN |
| 3, 13, 23, 33, 43 | RED |
| 4, 14, 24, 34, 44 | ORANGE |
| 5, 15, 25, 35, 45 | YELLOW |
| 6, 16, 26, 36, 46 | GREEN |
| 7, 17, 27, 37, 47 | BLUE |
| 8, 18, 28, 38, 48 | VIOLET |
| 9, 19, 29, 39, 49 | GRAY |
| 10, 20, 30, 40, 50 | WHITE |

INTERNAL USE ONLY
USE MFG LOADING
PROCEDURE MMDS-513



RoHS

NOTE:

DIMENSIONS IN [] ARE IN
MILLIMETERS UNLESS
OTHERWISE NOTED AND ARE
FOR REFERENCE ONLY

| | | | | | | |
|--------------|--|--|---------------|--|---|-----------------------|
| MMDS SMDW | THIRD ANGLE | THIS DRAWING CONTAINS CONFIDENTIAL AND PROPRIETARY INFORMATION WHICH IS THE PROPERTY OF OMNETICS CONNECTOR CORP. THIS DOCUMENT MAY NOT, IN WHOLE OR IN PART, BE DUPLICATED, OR DISCLOSED FOR ANY PURPOSE, WITHOUT WRITTEN PERMISSION FROM OMNETICS CONNECTOR CORP. | | OMNETICS CONNECTOR CORPORATION 7260 COMMERCE CIRCLE EAST MINNEAPOLIS, MN 55432 WWW.OMNETICS.COM | CAGE CODE 61873 | |
| | -TOLERANCES- UNLESS OTHERWISE NOTED DIMENSIONS IN INCHES | DFTM. TLM | DATE 09-18-18 | | TITLE: (51) SOCKET FEMALE MICRO-D CONNECTOR | DWG NO. A99341-513 |
| | 2 PL DEC ± .01 | CHK'D. | DATE | | SHEET 1 OF 1 | |
| | 3 PL DEC ± .005 | APP'D. | DATE | | REV A | SCALE: 2:1 |