

# MATERIALS

## HOUSING:

ALUMINUM 6061, NICKEL PLATE  
(500 MICRINCHES MINIMUM) PER  
SAE-AMS-2404

## INSULATOR:

LIQUID CRYSTAL POLYMER (LCP)  
PER ASTM D5138

## CONTACT:

COPPER ALLOY PER MIL-DTL-  
83513, GOLD PLATED PER ASTM  
B488, (HARD GOLD) TYPE II CODE  
C CLASS 1.27

## WIRE:

NEMA HP3 TYPE E, COLOR CODED  
IAW MIL-STD-681, SYSTEM 1,  
USING TEN SOLID REPEATING  
COLORS

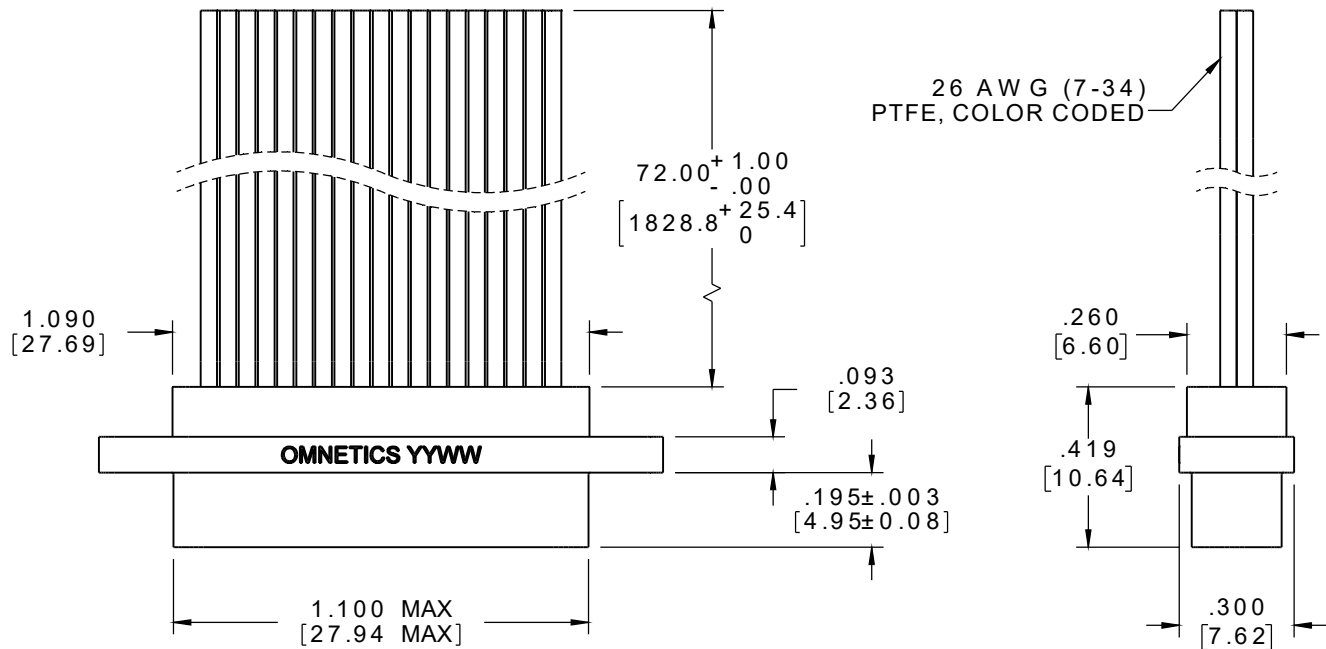
## INTERFACIAL SEAL:

SILICONE RUBBER PER A-A-59588

## HARDWARE:

AVAILABLE UPON REQUEST

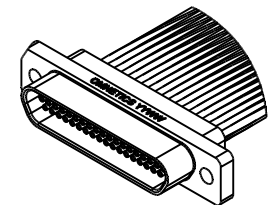
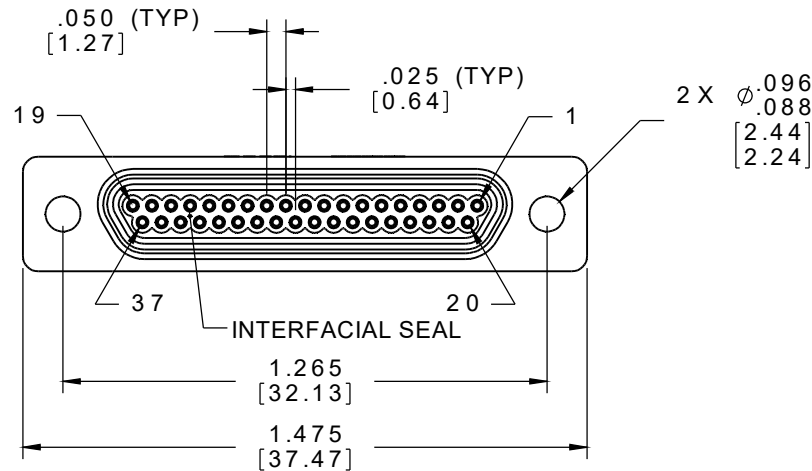
PART NO.	A99341-037	REV	ECO	DATE	APP
		A	104858	09-25-18	HV



26 AWG (7-34)  
PTFE, COLOR CODED

SOCKET #	COLOR
1, 11, 21, 31	BLACK
2, 12, 22, 32	BROWN
3, 13, 23, 33	RED
4, 14, 24, 34	ORANGE
5, 15, 25, 35	YELLOW
6, 16, 26, 36	GREEN
7, 17, 27, 37	BLUE
8, 18, 28	VIOLET
9, 19, 29	GRAY
10, 20, 30	WHITE

INTERNAL USE ONLY  
USE MFG LOADING  
PROCEDURE MMDS-037



ACTUAL SIZE  
EXCLUDING WIRE LENGTH

RoHS

## NOTE:

DIMENSIONS IN [ ] ARE IN  
MILLIMETERS UNLESS  
OTHERWISE NOTED AND ARE  
FOR REFERENCE ONLY

MMDS SMD SLDW	THIRD ANGLE	THIS DRAWING CONTAINS CONFIDENTIAL AND PROPRIETARY INFORMATION WHICH IS THE PROPERTY OF OMNETICS CONNECTOR CORP. THIS DOCUMENT MAY NOT, IN WHOLE OR IN PART, BE DUPLICATED, OR DISCLOSED FOR ANY PURPOSE, WITHOUT WRITTEN PERMISSION FROM OMNETICS CONNECTOR CORP.		<b>OMNETICS</b> CONNECTOR CORPORATION 7260 COMMERCE CIRCLE EAST MINNEAPOLIS, MN 55432 WWW.OMNETICS.COM	CAGE CODE 61873	
	-TOLERANCES-	DFTM. STN	DATE		TITLE:	DWG NO.
	UNLESS OTHERWISE NOTED	CHK'D.	DATE		(37) SOCKET FEMALE MICRO-D CONNECTOR	A99341-037
	DIMENSIONS IN INCHES	APP'D.	DATE			SHEET 1 OF 1
	2 PL DEC ± .01				SCALE: 2:1	
	3 PL DEC ± .005					
	4 PL DEC ± .0005					
	ANGLES ± 1°					