

**MATERIALS**

**HOUSING:**

ALUMINUM 6061-T6, NICKEL PLATE  
(500 MICROINCHES MINIMUM) PER  
SAE-AMS-2404

**INSULATOR:**

LIQUID CRYSTAL POLYMER (LCP)  
PER ASTM D5138

**CONTACT:**

COPPER ALLOY PER MIL-DTL-  
83513, GOLD PLATED PER ASTM  
B488, (HARD GOLD) TYPE II CODE  
C CLASS 1.27

**WIRE:**

NEMA HP3 TYPE E, COLOR CODED  
IAW MIL-STD-681, SYSTEM 1,  
USING TEN SOLID REPEATING  
COLORS

**INTERFACIAL SEAL:**

SILICONE RUBBER PER A-A-59588

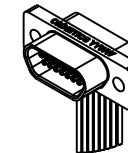
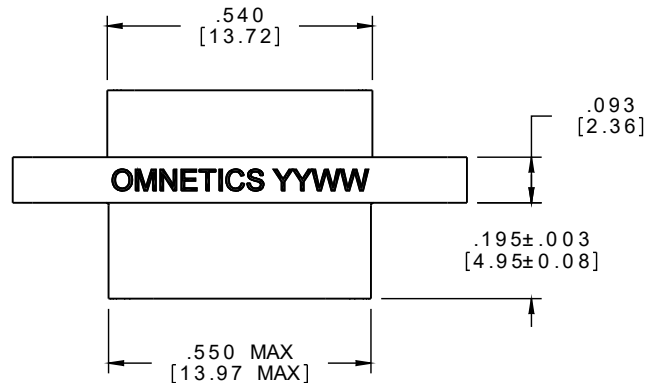
**HARDWARE:**

AVAILABLE UPON REQUEST

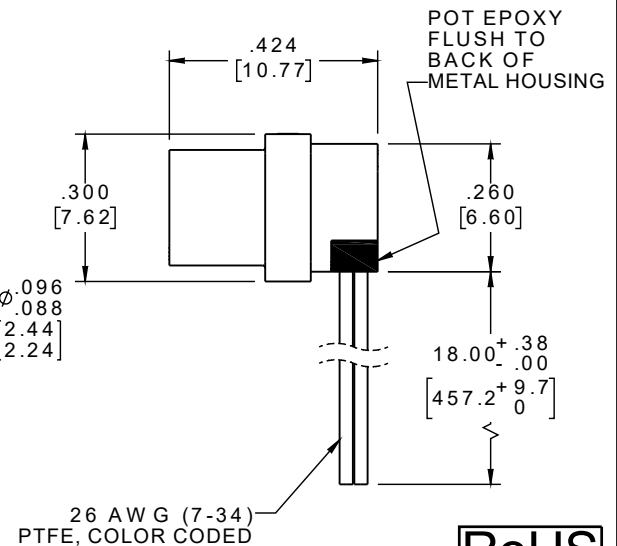
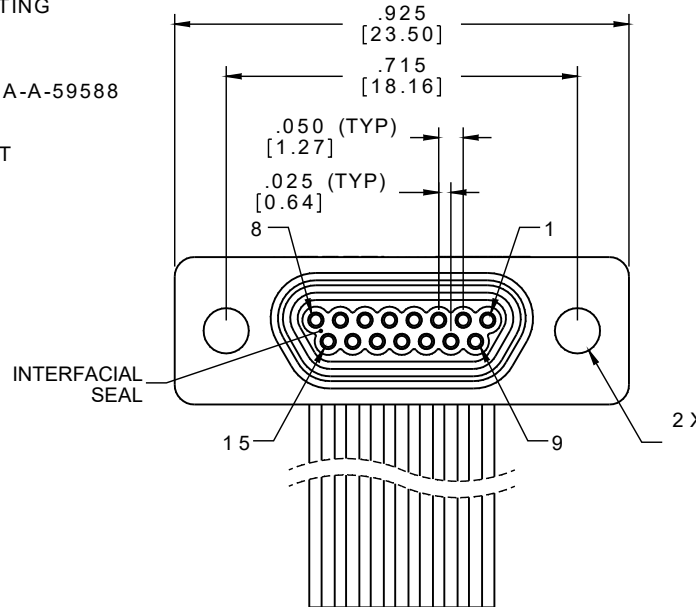
SOCKET #	COLOR
1, 11	BLACK
2, 12	BROWN
3, 13	RED
4, 14	ORANGE
5, 15	YELLOW
6	GREEN
7	BLUE
8	VIOLET
9	GRAY
10	WHITE

**INTERNAL USE ONLY**  
USE MFG LOADING  
PROCEDURE MMDS-015

PART NO.	A99308-015	REV	ECO	DATE	APP
		A	103556	06-20-17	TLM



ACTUAL SIZE  
EXCLUDING WIRE LENGTH



**RoHS**

**NOTE:**

DIMENSIONS IN [ ] ARE IN  
MILLIMETERS UNLESS  
OTHERWISE NOTED AND ARE  
FOR REFERENCE ONLY

THIRD ANGLE	
-TOLERANCES-	
UNLESS OTHERWISE NOTED	
DIMENSIONS IN INCHES	
2	PL DEC ± .01
3	PL DEC ± .005
4	PL DEC ± .0005
ANGLES ± 1°	

THIS DRAWING CONTAINS CONFIDENTIAL AND PROPRIETARY INFORMATION WHICH IS THE PROPERTY OF OMNETICS CONNECTOR CORP. THIS DOCUMENT MAY NOT, IN WHOLE OR IN PART, BE DUPLICATED, OR DISCLOSED FOR ANY PURPOSE, WITHOUT WRITTEN PERMISSION FROM OMNETICS CONNECTOR CORP.	
DFTM. ERB	DATE 01-11-17
CHK'D.	DATE
APP'D.	DATE

TITLE: (15) SOCKET FEMALE  
MICRO-D CONNECTOR

**OMNETICS**  
CONNECTOR CORPORATION  
7260 COMMERCE CIRCLE EAST  
MINNEAPOLIS, MN 55432  
WWW.OMNETICS.COM

CAGE CODE 61873	REV A
DWG NO. A99308-015	SCALE: 3:1
SHEET 1 OF 1	