

**MATERIALS**

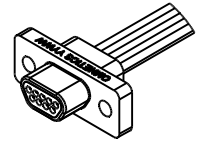
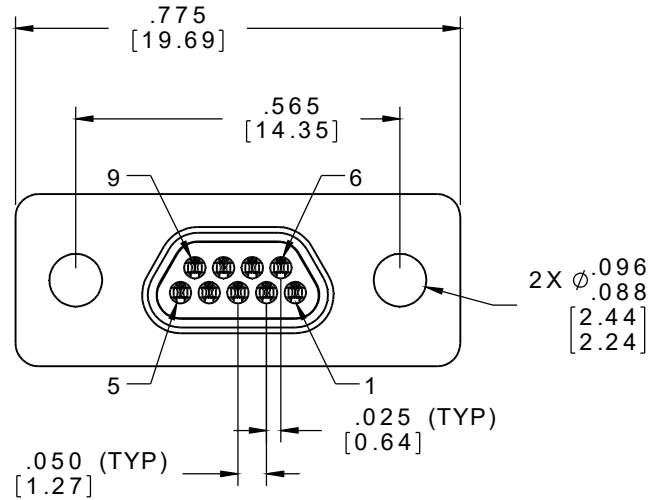
**HOUSING:**  
ALUMINUM 6061, NICKEL PLATE (500 MICRINCHES MINIMUM) PER SAE-AMS-2404

**INSULATOR:**  
LIQUID CRYSTAL POLYMER (LCP) PER ASTM D5138

**CONTACT:**  
BERYLLIUM COPPER PER ASTM B194, C17200, GOLD PLATED PER ASTM B488, (HARD GOLD) TYPE II, CODE C, CLASS 1.27

**WIRE:**  
NEMA HP3 TYPE E, COLOR CODED IAW MIL-STD-681, SYSTEM 1

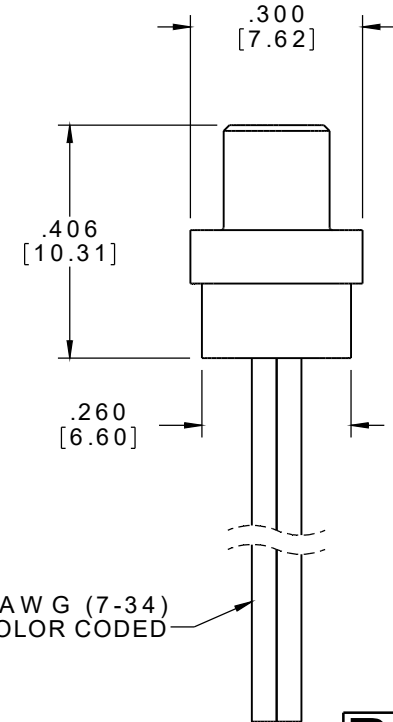
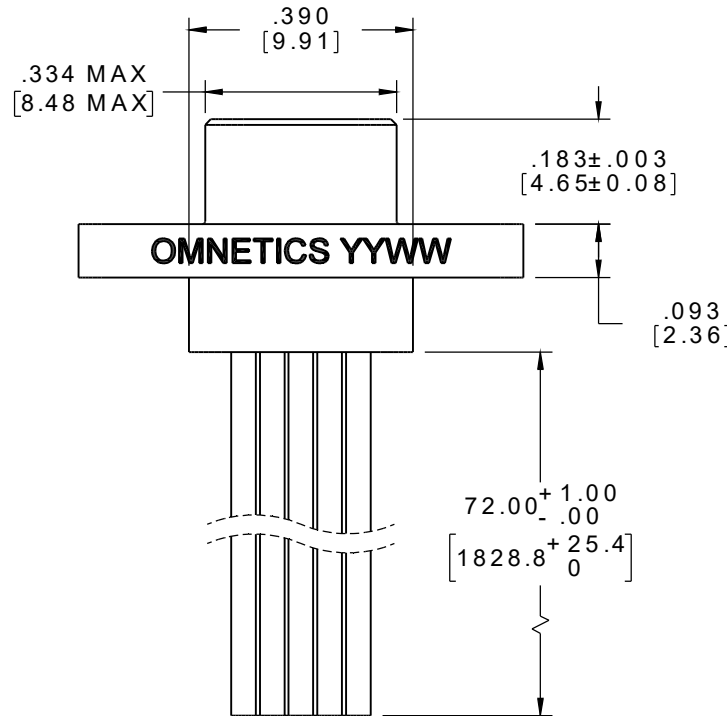
PART NO.	A98407-009	REV	ECO	DATE	APP
		1			



ACTUAL SIZE EXCLUDING WIRE LENGTH

PIN #	COLOR
1	BLACK
2	BROWN
3	RED
4	ORANGE
5	YELLOW
6	GREEN
7	BLUE
8	VIOLET
9	GRAY

**INTERNAL USE ONLY**  
USE MFG LOADING  
PROCEDURE MMDP-009



**RoHS**

**NOTES:**

1. DIMENSIONS IN [ ] ARE IN MILLIMETERS UNLESS OTHERWISE NOTED AND ARE FOR REFERENCE ONLY

MMDP SLDW	THIRD ANGLE	THIS DRAWING CONTAINS CONFIDENTIAL AND PROPRIETARY INFORMATION WHICH IS THE PROPERTY OF OMNETICS CONNECTOR CORP. THIS DOCUMENT MAY NOT, IN WHOLE OR IN PART, BE DUPLICATED, OR DISCLOSED FOR ANY PURPOSE, WITHOUT WRITTEN PERMISSION FROM OMNETICS CONNECTOR CORP.	<b>OMNETICS</b> CONNECTOR CORPORATION 8840 EVERGREEN BLVD. MINNEAPOLIS, MN 55433 WWW.OMNETICS.COM	DWG NO.	CAGE CODE 61873		
	-TOLERANCES- UNLESS OTHERWISE NOTED DIMENSIONS IN INCHES			TITLE:	1 OF 1	SCALE: 3:1	REV 1
	2 PL DEC±.01 3 PL DEC±.005 4 PL DEC±.0005 ANGLES ± 1°			DFTM. DWP DATE 05-25-23	(9) PIN MALE MICRO-D CONNECTOR W/MTG HOLES	A98407-009	