

MATERIALS & SPECIFICATIONS

INSULATORS

THERMOPLASTIC PER ASTM D5138

CONTACT MATERIAL

PINS - BERYLLIUM
COPPER PER ASTM B194,
ALLOY C17200
SOCKET - COPPER ALLOY
PER MIL-DTL-32139

CONTACT FINISH

GOLD PLATE PER ASTM B488, TYPE II (HARD GOLD), CODE C, CLASS 1.27

TERMINATION FINISH

SOLDER COATED WITH SN63 PER J-STD-006 OR SN60 PER AMS-P-81728

CURRENT RATING

1 AMP PER MIL-DTL-32139

CONTACT RESISTANCE

71 MILLIOHM MAX (71mV DROP MAX) @ 1.0 AMPS PER MIL-DTL-32139

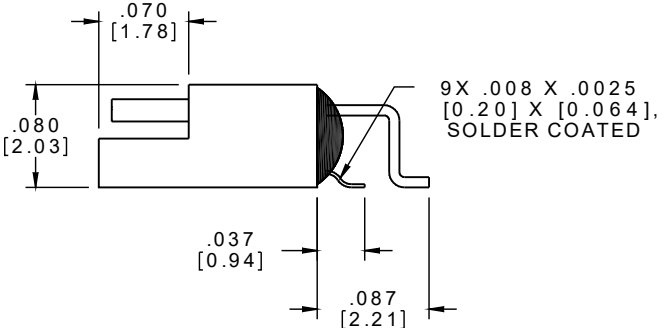
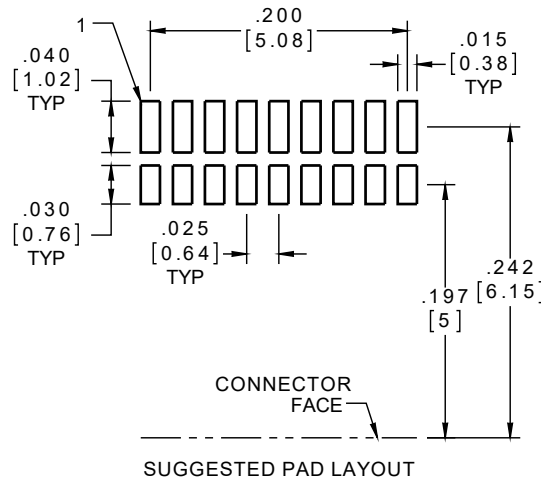
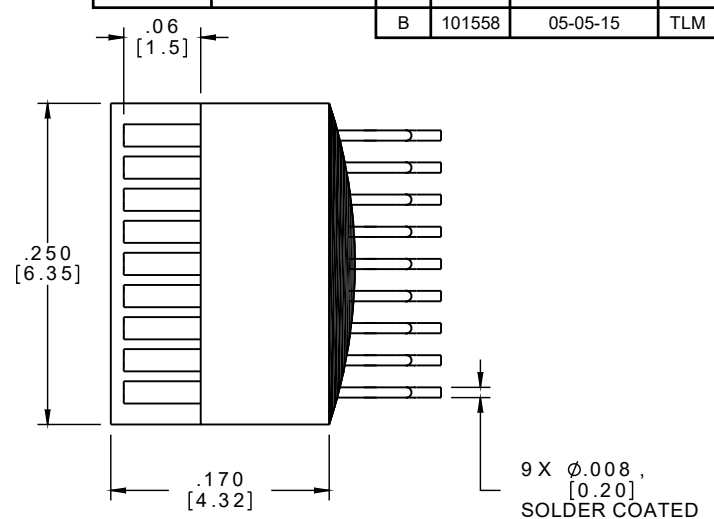
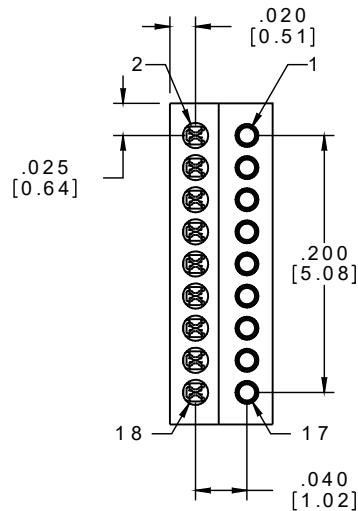
PERFORMANCE

PRODUCT FAMILY TESTED TO AND PASSED THE PERFORMANCE SPECIFICATIONS OF TABLE VIII OF MIL-DTL-32139



ACTUAL SIZE

PART NO.	A79638-001	REV	ECO	DATE	APP
		B	101558	05-05-15	TLM



NOTE:

DIMENSIONS IN [] ARE IN MILLIMETERS UNLESS OTHERWISE NOTED AND ARE FOR REFERENCE ONLY

THIRD ANGLE		THIS DRAWING CONTAINS CONFIDENTIAL AND PROPRIETARY INFORMATION WHICH IS THE PROPERTY OF OMNETICS CONNECTOR CORP. THIS DOCUMENT MAY NOT, IN WHOLE OR IN PART, BE DUPLICATED, OR DISCLOSED FOR ANY PURPOSE, WITHOUT WRITTEN PERMISSION FROM OMNETICS CONNECTOR CORP.	
-TOLERANCES-			
UNLESS OTHERWISE NOTED			
DIMENSIONS IN INCHES		DFTM. MJM	DATE 04-12-13
2 PL DEC ± .01		CHK'D.	DATE
3 PL DEC ± .005		APP'D.	DATE
4 PL DEC ± .0005			
ANGLES ± 1°			

OMNETICS
CONNECTOR CORPORATION
2760 COMMERCE CIRCLE EAST
MINNEAPOLIS, MN 55432
WWW.OMNETICS.COM

CAGE CODE 61873	REV
DWG NO. A79638-001	B
SHEET 1 OF 1	
SCALE: 8:1	

TITLE:
(18) CONTACT POLARIZED
MALE/FEMALE
NANO CONNECTOR