

PART NO.	A79635-001	REV	ECO	DATE	APP
		C	104485	05-21-18	TLM

**MATERIALS & SPECIFICATIONS**

**INSULATOR**  
THERMOPLASTIC PER ASTM D5138

**CONTACT MATERIAL**  
PINS - BERYLLIUM  
COPPER PER ASTM B194,  
ALLOY C17200  
SOCKET - COPPER ALLOY  
PER MIL-DTL-32139

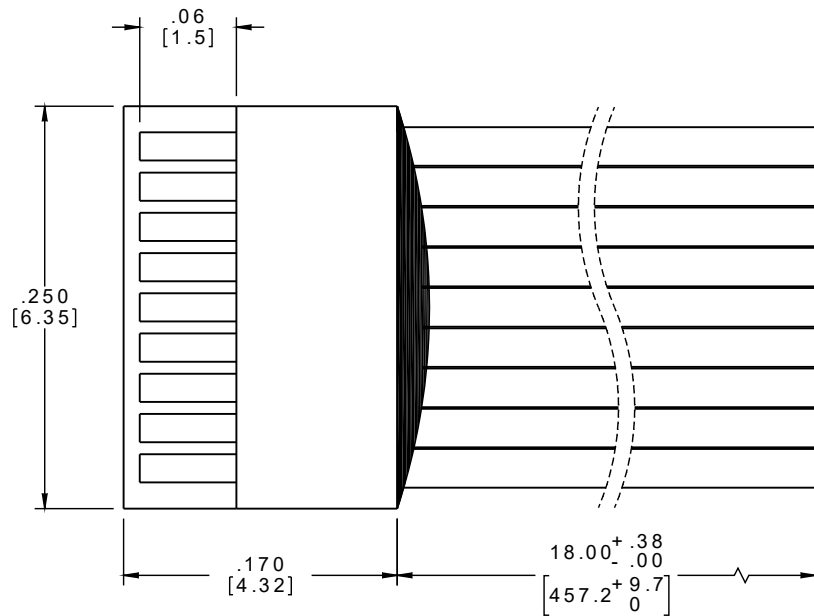
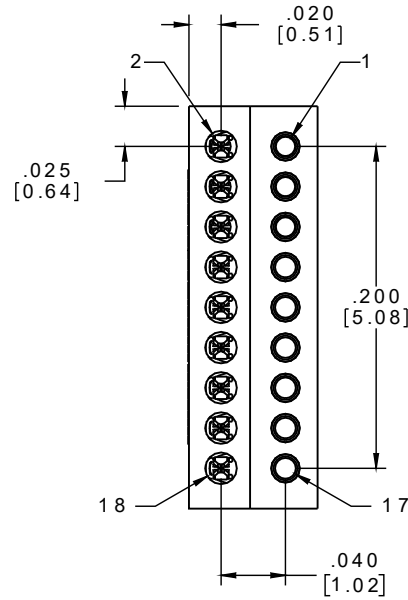
**CONTACT FINISH**  
GOLD PLATE PER ASTM B488, TYPE II (HARD GOLD), CODE C, CLASS 1.27

**WIRE**  
32 AWG, 7 STRAND, TYPE ET PER NEMA HP3

**CURRENT RATING**  
1 AMP MAX PER MIL-DTL-32139

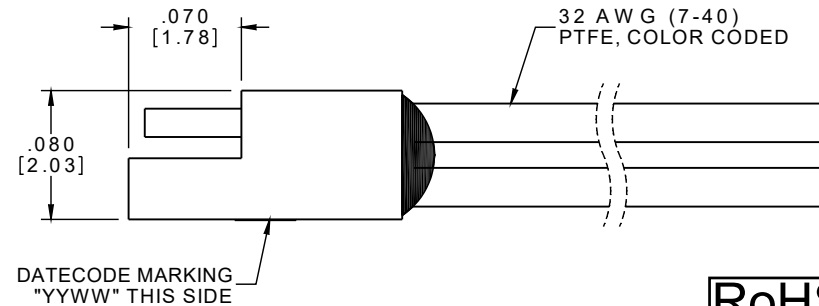
**CONTACT RESISTANCE**  
71 MILLIOHM MAX (71mV DROP MAX) @ 1.0 AMPS PER MIL-DTL-32139

**PERFORMANCE**  
PRODUCT FAMILY TESTED TO AND PASSED THE PERFORMANCE SPECIFICATIONS OF TABLE VIII OF MIL-DTL-32139



CONTACT #	COLOR
1, 11	BLACK
2, 12	BROWN
3, 13	RED
4, 14	ORANGE
5, 15	YELLOW
6, 16	GREEN
7, 17	BLUE
8, 18	VIOLET
9	GRAY
10	WHITE

INTERNAL USE ONLY  
SHEET 2 OF 2 IS  
MANUFACTURING  
LOADING DIAGRAM



**RoHS**

NOTE:

DIMENSIONS IN [ ] ARE IN MILLIMETERS UNLESS OTHERWISE NOTED AND ARE FOR REFERENCE ONLY

PZN SLD DW	THIRD ANGLE	THIS DRAWING CONTAINS CONFIDENTIAL AND PROPRIETARY INFORMATION WHICH IS THE PROPERTY OF OMNETICS CONNECTOR CORP. THIS DOCUMENT MAY NOT, IN WHOLE OR IN PART, BE DUPLICATED, OR DISCLOSED FOR ANY PURPOSE, WITHOUT WRITTEN PERMISSION FROM OMNETICS CONNECTOR CORP.		
	-TOLERANCES-	DFTM. JMJ	DATE	TITLE:
	DIMENSIONS IN INCHES		04-12-13	(18) CONTACT POLARIZED
	2 PL DEC ± .01 3 PL DEC ± .005 4 PL DEC ± .0005 ANGLES ± 1°	CHK'D.	DATE	MALE/FEMALE
	APP'D.	DATE	NANO CONNECTOR	

**OMNETICS**  
CONNECTOR CORPORATION  
7260 COMMERCE CIRCLE EAST  
MINNEAPOLIS, MN 55432  
WWW.OMNETICS.COM

CAGE CODE 61873	REV
DWG NO. A79635-001	C
SHEET 1 OF 2	
SCALE: 10:1	