

PART NO.	A79625-001	REV	ECO	DATE	APP
		C	104485	05-21-18	TLM

MATERIALS & SPECIFICATIONS

INSULATOR

THERMOPLASTIC PER ASTM D5138

CONTACT MATERIAL

PINS - BERYLLIUM
COPPER PER ASTM B194,
ALLOY C17200
SOCKET - COPPER ALLOY
PER MIL-DTL-32139

CONTACT FINISH

GOLD PLATE PER ASTM B488, TYPE II (HARD GOLD), CODE C, CLASS 1.27

WIRE

32 AWG, 7 STRAND, TYPE ET PER NEMA HP3

CURRENT RATING

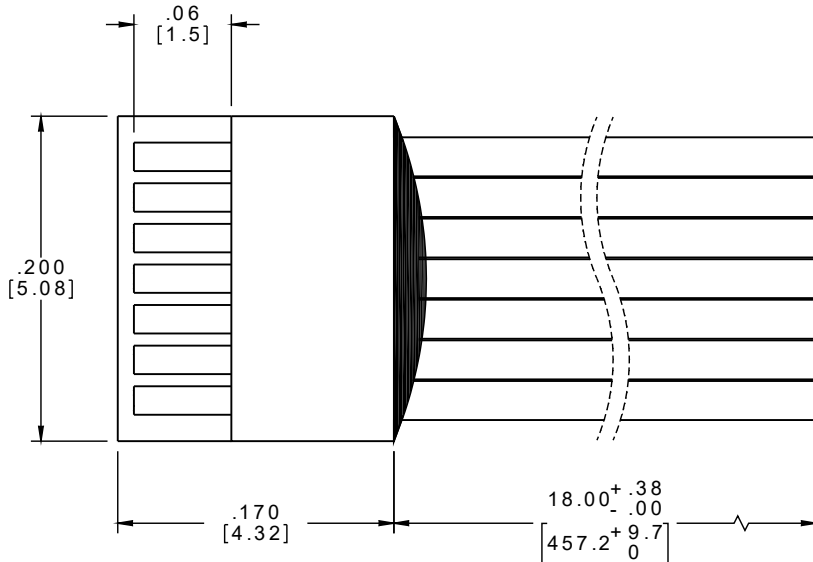
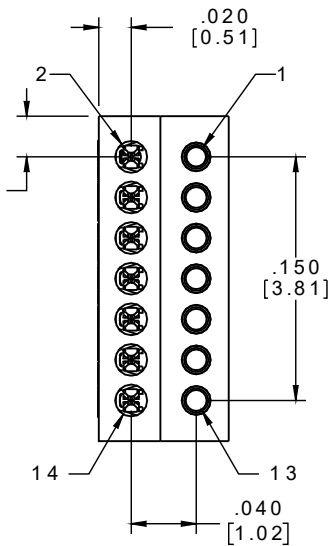
1 AMP MAX PER MIL-DTL-32139

CONTACT RESISTANCE

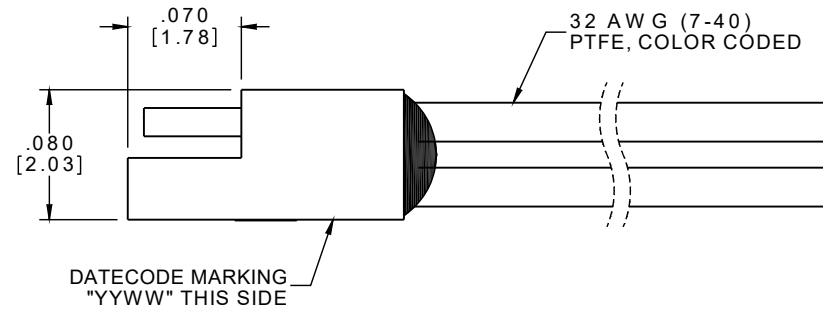
71 MILLIOHM MAX (71mV DROP MAX) @ 1.0 AMPS PER MIL-DTL-32139

PERFORMANCE

PRODUCT FAMILY TESTED TO AND PASSED THE PERFORMANCE SPECIFICATIONS OF TABLE VIII OF MIL-DTL-32139



CONTACT #	COLOR
1, 11	BLACK
2, 12	BROWN
3, 13	RED
4, 14	ORANGE
5	YELLOW
6	GREEN
7	BLUE
8	VIOLET
9	GRAY
10	WHITE



INTERNAL USE ONLY
SHEET 2 OF 2 IS
MANUFACTURING
LOADING DIAGRAM

RoHS

NOTE:

DIMENSIONS IN [] ARE IN MILLIMETERS UNLESS OTHERWISE NOTED AND ARE FOR REFERENCE ONLY

PZN S/DW	THIRD ANGLE	THIS DRAWING CONTAINS CONFIDENTIAL AND PROPRIETARY INFORMATION WHICH IS THE PROPERTY OF OMNETICS CONNECTOR CORP. THIS DOCUMENT MAY NOT, IN WHOLE OR IN PART, BE DUPLICATED, OR DISCLOSED FOR ANY PURPOSE, WITHOUT WRITTEN PERMISSION FROM OMNETICS CONNECTOR CORP.		
	-TOLERANCES-			
	UNLESS OTHERWISE NOTED			
	DIMENSIONS IN INCHES			
	2 PL DEC ± .01	DFTM. MJM	DATE 04-12-13	TITLE:
	3 PL DEC ± .005	CHK'D.	DATE	(14) CONTACT POLARIZED
	4 PL DEC ± .0005	APP'D.	DATE	MALE/FEMALE
	ANGLES ± 1°			NANO CONNECTOR

THIRD ANGLE		THIS DRAWING CONTAINS CONFIDENTIAL AND PROPRIETARY INFORMATION WHICH IS THE PROPERTY OF OMNETICS CONNECTOR CORP. THIS DOCUMENT MAY NOT, IN WHOLE OR IN PART, BE DUPLICATED, OR DISCLOSED FOR ANY PURPOSE, WITHOUT WRITTEN PERMISSION FROM OMNETICS CONNECTOR CORP.		
-TOLERANCES-				
UNLESS OTHERWISE NOTED				
DIMENSIONS IN INCHES				
	2 PL DEC ± .01	DFTM. MJM	DATE 04-12-13	TITLE:
	3 PL DEC ± .005	CHK'D.	DATE	(14) CONTACT POLARIZED
	4 PL DEC ± .0005	APP'D.	DATE	MALE/FEMALE
	ANGLES ± 1°			NANO CONNECTOR

OMNETICS
CONNECTOR CORPORATION
7260 COMMERCE CIRCLE EAST
MINNEAPOLIS, MN 55432
WWW.OMNETICS.COM

CAGE CODE 61873	
DWG NO. A79625-001	
SHEET 1 OF 2	REV C
SCALE: 10:1	