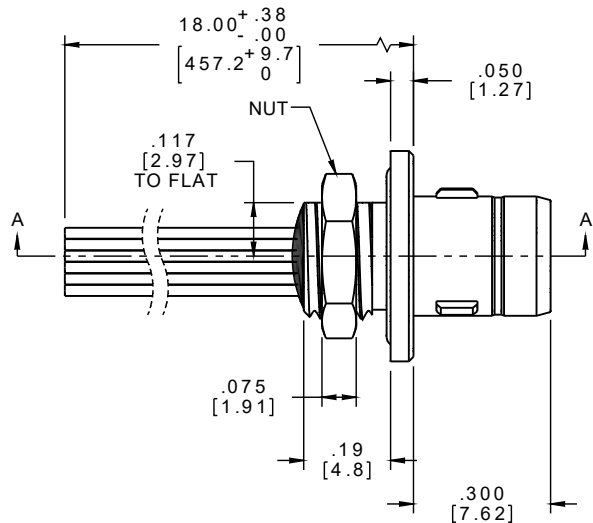
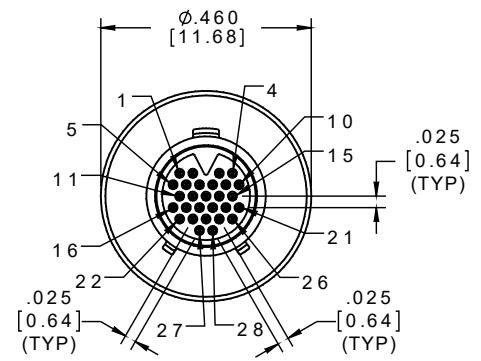


| | | | | | |
|----------|------------|-----|--------|----------|-----|
| PART NO. | A79455-001 | REV | ECO | DATE | APP |
| | | A | 102815 | 08-16-16 | TLM |

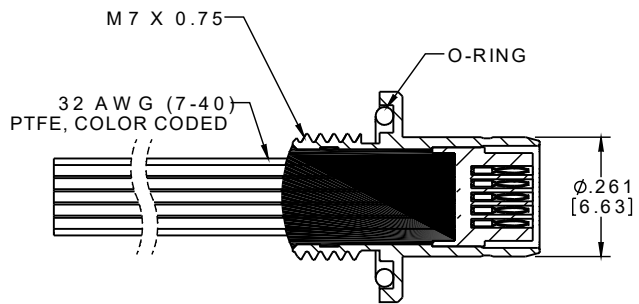


ACTUAL SIZE
EXCLUDING WIRE LENGTH

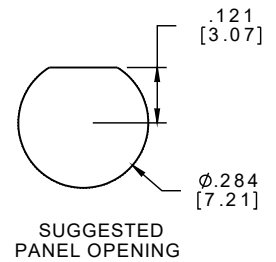


| PIN # | COLOR |
|-----------|--------|
| 1, 11, 21 | BLACK |
| 2, 12, 22 | BROWN |
| 3, 13, 23 | RED |
| 4, 14, 24 | ORANGE |
| 5, 15, 25 | YELLOW |
| 6, 16, 26 | GREEN |
| 7, 17, 27 | BLUE |
| 8, 18, 28 | VIOLET |
| 9, 19 | GRAY |
| 10, 20 | WHITE |

INTERNAL USE ONLY
USE MFG LOADING
PROCEDURE NC-28P



SECTION A-A
LESS NUT



NOTES:

- DIMENSIONS IN [] ARE IN MILLIMETERS UNLESS OTHERWISE NOTED AND ARE FOR REFERENCE ONLY.

| | | | | |
|--------------|------------------------|--|----------|---|
| KBNP SLDW | THIRD ANGLE | THIS DRAWING CONTAINS CONFIDENTIAL AND PROPRIETARY INFORMATION WHICH IS THE PROPERTY OF OMNETICS CONNECTOR CORP. THIS DOCUMENT MAY NOT, IN WHOLE OR IN PART, BE DUPLICATED, OR DISCLOSED FOR ANY PURPOSE, WITHOUT WRITTEN PERMISSION FROM OMNETICS CONNECTOR CORP. | | |
| | -TOLERANCES- | DFTM. ERB | DATE | TITLE: |
| | UNLESS OTHERWISE NOTED | CHK'D. | 03-10-16 | (28) PIN MALE NANO KEYED |
| | DIMENSIONS IN INCHES | APP'D. | | BREAK AWAY PANEL MOUNT SEALED CIRCULAR CONNECTOR |
| | 2 PL DEC ± .01 | | | |
| | 3 PL DEC ± .005 | | | |
| | 4 PL DEC ± .0005 | | | |
| | ANGLES ± 1° | | | |

IP68

| | |
|--|--------------------|
| OMNETICS CONNECTOR CORPORATION 7260 COMMERCE CIRCLE EAST MINNEAPOLIS, MN 55432 WWW.OMNETICS.COM | CAGE CODE 61873 |
| | DWG NO. A79455-001 |
| | SHEET 1 OF 2 |
| | SCALE: 3:1 |
| | REV A |