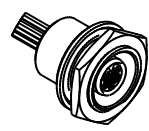
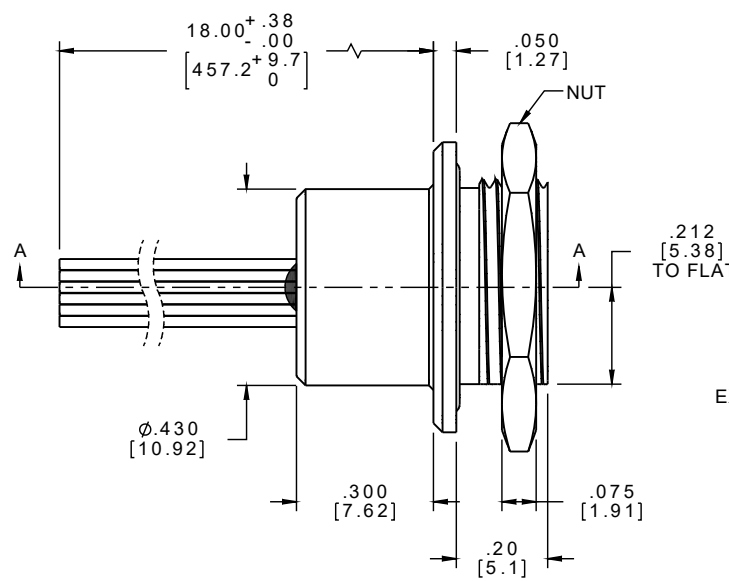
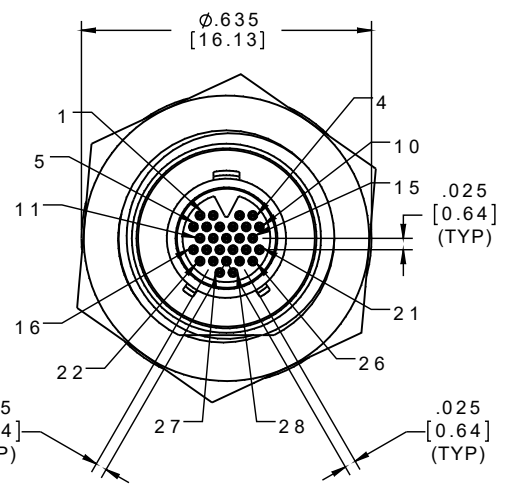


PART NO.	A79454-001	REV	ECO	DATE	APP
		A	102815	08-16-16	TLM

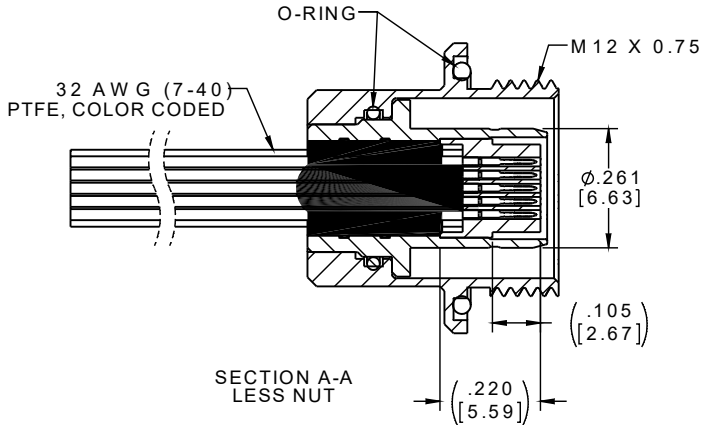


ACTUAL SIZE EXCLUDING WIRE LENGTH



P IN #	COLOR
1, 11, 21	BLACK
2, 12, 22	BROWN
3, 13, 23	RED
4, 14, 24	ORANGE
5, 15, 25	YELLOW
6, 16, 26	GREEN
7, 17, 27	BLUE
8, 18, 28	VIOLET
9, 19	GRAY
10, 20	WHITE

INTERNAL USE ONLY  
USE MFG LOADING  
PROCEDURE NC-28P



**IP68**

NOTES:

1. DIMENSIONS IN [ ] ARE IN MILLIMETERS UNLESS OTHERWISE NOTED AND ARE FOR REFERENCE ONLY.

KBNP SBDW	THIRD ANGLE	THIS DRAWING CONTAINS CONFIDENTIAL AND PROPRIETARY INFORMATION WHICH IS THE PROPERTY OF OMNETICS CONNECTOR CORP. THIS DOCUMENT MAY NOT, IN WHOLE OR IN PART, BE DUPLICATED, OR DISCLOSED FOR ANY PURPOSE, WITHOUT WRITTEN PERMISSION FROM OMNETICS CONNECTOR CORP.
	TOLERANCES-	
	UNLESS OTHERWISE NOTED	
	DIMENSIONS IN INCHES	
	2 PL DEC ± .01	
3 PL DEC ± .005		
4 PL DEC ± .0005		
ANGLES ± 1°		

DFTM. ERB	DATE	03-10-16
CHK'D.	DATE	
APP'D.	DATE	

TITLE:  
(28) PIN MALE NANO KEYED  
BREAK AWAY PANEL MOUNT  
SEALED CIRCULAR CONNECTOR

**OMNETICS**  
CONNECTOR CORPORATION  
7260 COMMERCE CIRCLE EAST  
MINNEAPOLIS, MN 55432  
WWW.OMNETICS.COM

CAGE CODE 61873
DWG NO. A79454-001
SHEET 1 OF 2
SCALE: 3:1
REV A