

**MATERIALS & SPECIFICATIONS**

**INSULATORS**

THERMOPLASTIC PER MIL-M-24519

**CONTACT MATERIAL**

BERYLLIUM COPPER PER ASTM B194, ALLOY C17200

**CONTACT FINISH**

GOLD PLATE PER ASTM B488, TYPE II (HARD GOLD), CODE C, CLASS 1.27

**WIRE - STANDARD**

32 AWG, 7 STRAND, TYPE ET PER NEMA HP3

**SHELLS**

BRASS ALLOY 360

**SHELL FINISH**

ELECTROLESS NICKEL PER SAE-AMS-2404

**CURRENT RATING**

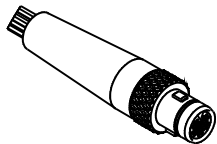
1 AMP PER MIL-DTL-32139

**CONTACT RESISTANCE**

71 MILLIOHM MAX (71mV DROP MAX) @ 1.0 AMPS PER MIL-DTL-32139

**PERFORMANCE**

PRODUCT FAMILY TESTED TO AND PASSED THE PERFORMANCE SPECIFICATIONS OF TABLE VIII OF MIL-DTL-32139

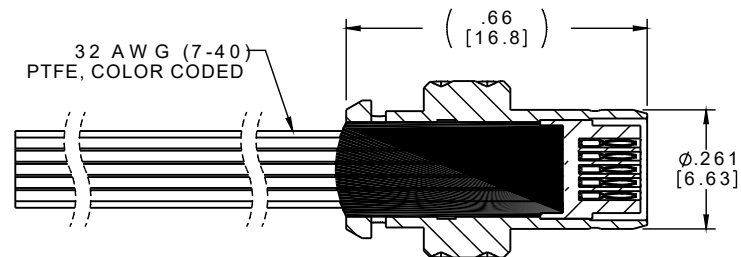
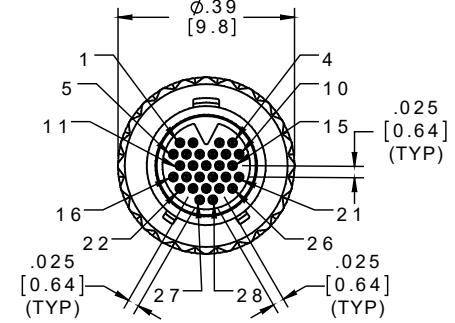
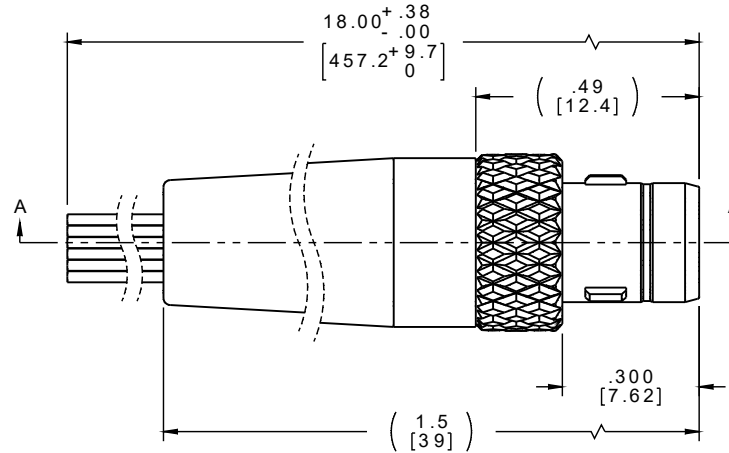


ACTUAL SIZE EXCLUDING WIRE LENGTH

**NOTES:**

1. DIMENSIONS IN [ ] ARE IN MILLIMETERS UNLESS OTHERWISE NOTED AND ARE FOR REFERENCE ONLY.

PART NO.	A79451-001	REV	ECO	DATE	APP
		A	102815	08-16-16	TLM



PIN #	COLOR
1, 11, 21	BLACK
2, 12, 22	BROWN
3, 13, 23	RED
4, 14, 24	ORANGE
5, 15, 25	YELLOW
6, 16, 26	GREEN
7, 17, 27	BLUE
8, 18, 28	VIOLET
9, 19	GRAY
10, 20	WHITE

INTERNAL USE ONLY  
USE MFG LOADING  
PROCEDURE NC-28P

THIRD ANGLE -TOLERANCES- UNLESS OTHERWISE NOTED DIMENSIONS IN INCHES 2 PL DEC ± .01 3 PL DEC ± .005 4 PL DEC ± .0005 ANGLES ± 1°	THIS DRAWING CONTAINS CONFIDENTIAL AND PROPRIETARY INFORMATION WHICH IS THE PROPERTY OF OMNETICS CONNECTOR CORP. THIS DOCUMENT MAY NOT, IN WHOLE OR IN PART, BE DUPLICATED, OR DISCLOSED FOR ANY PURPOSE, WITHOUT WRITTEN PERMISSION FROM OMNETICS CONNECTOR CORP.		<b>OMNETICS</b> CONNECTOR CORPORATION 7260 COMMERCE CIRCLE EAST MINNEAPOLIS, MN 55432 WWW.OMNETICS.COM	CAGE CODE 61873
	DFTM. ERB DATE 03-10-16	TITLE: (28) PIN MALE KEYED BREAK AWAY CONNECTOR		DWG NO. A79451-001
	CHK'D. DATE	APP'D. DATE		SHEET 1 OF 1
				REV A