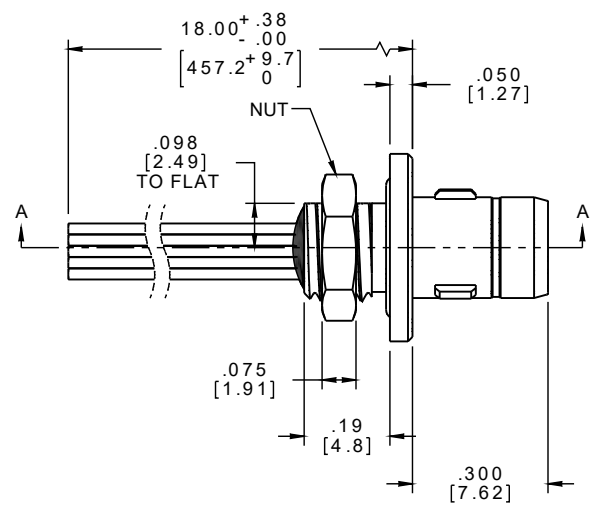
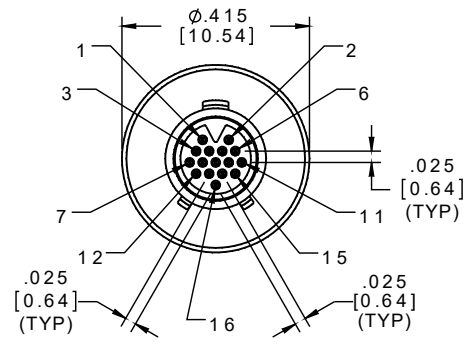


|          |             |     |        |          |     |
|----------|-------------|-----|--------|----------|-----|
| PART NO. | A 79446-001 | REV | ECO    | DATE     | APP |
|          |             | A   | 102815 | 08-16-16 | TLM |

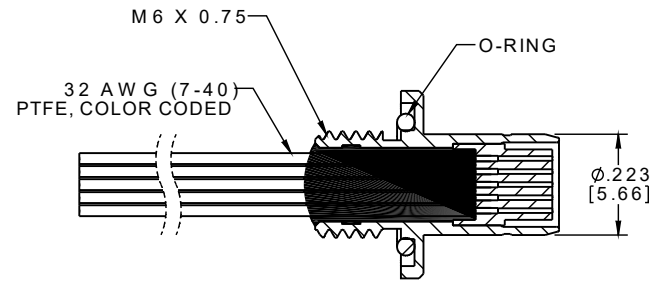


ACTUAL SIZE  
EXCLUDING WIRE LENGTH

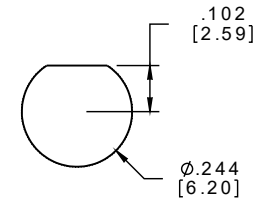


| PIN # | COLOR  |
|-------|--------|
| 1, 11 | BLACK  |
| 2, 12 | BROWN  |
| 3, 13 | RED    |
| 4, 14 | ORANGE |
| 5, 15 | YELLOW |
| 6, 16 | GREEN  |
| 7     | BLUE   |
| 8     | VIOLET |
| 9     | GRAY   |
| 10    | WHITE  |

INTERNAL USE ONLY  
USE MFG LOADING  
PROCEDURE NC-16P



SECTION A-A  
LESS NUT



SUGGESTED  
PANEL OPENING

**IP68**

NOTES:

1. DIMENSIONS IN [ ] ARE IN MILLIMETERS UNLESS OTHERWISE NOTED AND ARE FOR REFERENCE ONLY.

|                        |  |
|------------------------|--|
| THIRD ANGLE            |  |
| -TOLERANCES-           |  |
| UNLESS OTHERWISE NOTED |  |
| DIMENSIONS IN INCHES   |  |
| 2 P L D E C ± .01      |  |
| 3 P L D E C ± .005     |  |
| 4 P L D E C ± .0005    |  |
| ANGLES ± 1°            |  |

|  |               |
|--|---------------|
| THIS DRAWING CONTAINS CONFIDENTIAL AND PROPRIETARY INFORMATION WHICH IS THE PROPERTY OF OMNETICS CONNECTOR CORP. THIS DOCUMENT MAY NOT, IN WHOLE OR IN PART, BE DUPLICATED, OR DISCLOSED FOR ANY PURPOSE, WITHOUT WRITTEN PERMISSION FROM OMNETICS CONNECTOR CORP. |               |
| DFTM. ERB  | DATE 03-09-16 |
| CHK'D.   | DATE          |
| APP'D.   | DATE          |

TITLE:  
(16) PIN MALE NANO KEYED  
BREAK AWAY PANEL MOUNT  
SEALED CIRCULAR CONNECTOR

**OMNETICS**  
CONNECTOR CORPORATION  
7260 COMMERCE CIRCLE EAST  
MINNEAPOLIS, MN 55432  
WWW.OMNETICS.COM

|                    |
|--------------------|
| CAGE CODE 61873    |
| DWG NO. A79446-001 |
| SHEET 1 OF 2       |
| SCALE: 3:1         |
| REV A              |