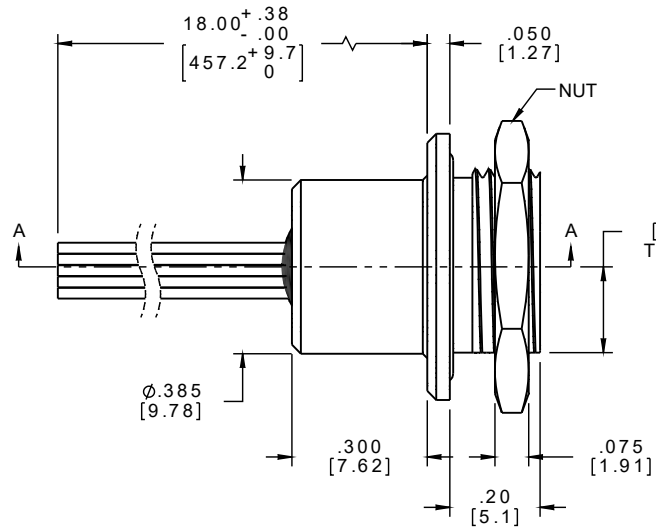


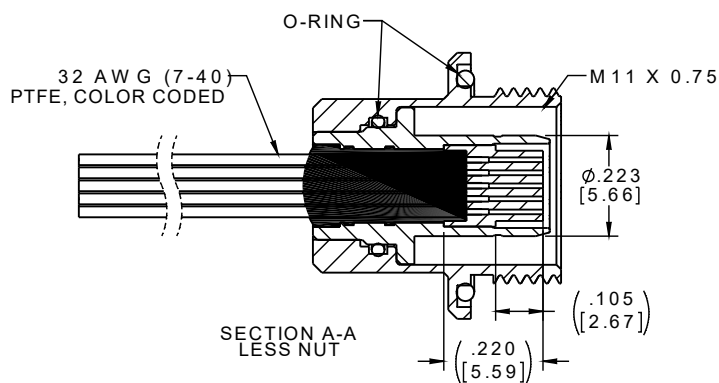
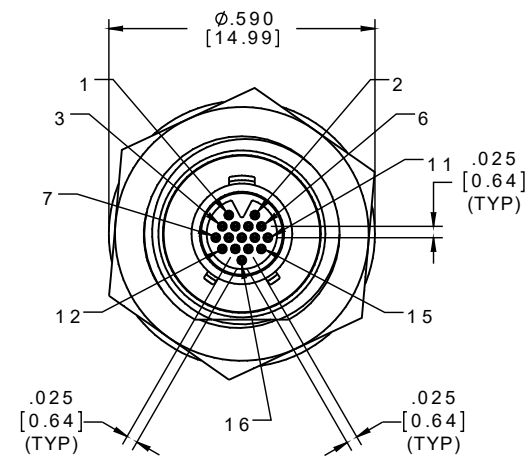
PART NO.	A79445-001	REV	ECO	DATE	APP
		A	102815	08-16-16	TLM



.190
[4.83]
TO FLAT

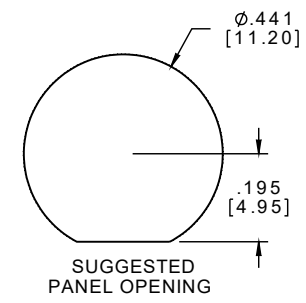


ACTUAL SIZE
EXCLUDING WIRE LENGTH



PIN #	COLOR
1, 11	BLACK
2, 12	BROWN
3, 13	RED
4, 14	ORANGE
5, 15	YELLOW
6, 16	GREEN
7	BLUE
8	VIOLET
9	GRAY
10	WHITE

INTERNAL USE ONLY
USE MFG LOADING
PROCEDURE NC-16P



IP68

NOTES:

1. DIMENSIONS IN [] ARE IN MILLIMETERS UNLESS OTHERWISE NOTED AND ARE FOR REFERENCE ONLY.

THIRD ANGLE	
-TOLERANCES-	
UNLESS OTHERWISE NOTED	
DIMENSIONS IN INCHES	
2	PL DE C ± .01
3	PL DE C ± .005
4	PL DE C ± .0005
ANGLES ± 1°	

THIS DRAWING CONTAINS CONFIDENTIAL AND PROPRIETARY INFORMATION WHICH IS THE PROPERTY OF OMNETICS CONNECTOR CORP. THIS DOCUMENT MAY NOT, IN WHOLE OR IN PART, BE DUPLICATED, OR DISCLOSED FOR ANY PURPOSE, WITHOUT WRITTEN PERMISSION FROM OMNETICS CONNECTOR CORP.	
DFTM. ERB	DATE 03-09-16
CHK'D.	DATE
APP'D.	DATE

TITLE:
(16) PIN MALE NANO KEYED
BREAK AWAY PANEL MOUNT
SEALED CIRCULAR CONNECTOR

OMNETICS
CONNECTOR CORPORATION
7260 COMMERCE CIRCLE EAST
MINNEAPOLIS, MN 55432
WWW.OMNETICS.COM

CAGE CODE 61873
DWG NO. A79445-001
SHEET 1 OF 2
SCALE: 3:1
REV A