

PART NO.	A79442-001	REV	ECO	DATE	APP
		A	102815	08-16-16	TLM

MATERIALS & SPECIFICATIONS

INSULATORS

THERMOPLASTIC PER MIL-M-24519

CONTACT MATERIAL

BERYLLIUM COPPER PER ASTM B194, ALLOY C17200

CONTACT FINISH

GOLD PLATE PER ASTM B488, TYPE II (HARD GOLD), CODE C, CLASS 1.27

WIRE - STANDARD

32 AWG, 7 STRAND, TYPE ET PER NEMA HP3

SHELLS

BRASS ALLOY 360

SHELL FINISH

ELECTROLESS NICKEL PER SAE-AMS-2404

CURRENT RATING

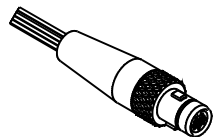
1 AMP PER MIL-DTL-32139

CONTACT RESISTANCE

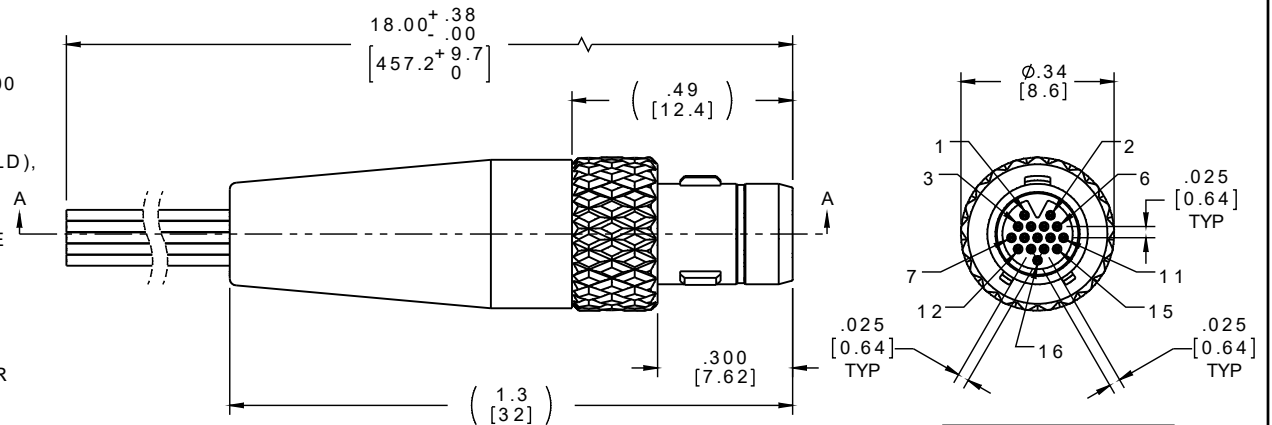
71 MILLIOHM MAX (71mV DROP MAX) @ 1.0 AMPS PER MIL-DTL-32139

PERFORMANCE

PRODUCT FAMILY TESTED TO AND PASSED THE PERFORMANCE SPECIFICATIONS OF TABLE VIII OF MIL-DTL-32139

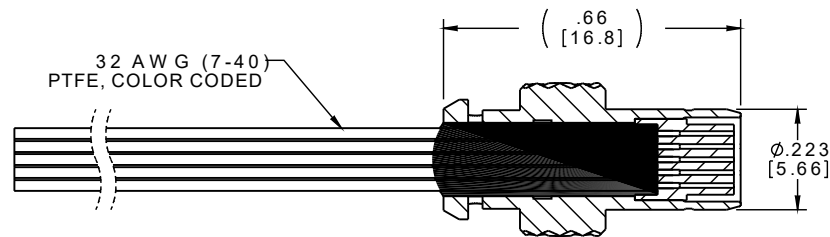


ACTUAL SIZE EXCLUDING WIRE LENGTH



PIN #	COLOR
1, 11	BLACK
2, 12	BROWN
3, 13	RED
4, 14	ORANGE
5, 15	YELLOW
6, 16	GREEN
7	BLUE
8	VIOLET
9	GRAY
10	WHITE

INTERNAL USE ONLY
USE MFG LOADING
PROCEDURE NC-16P



SECTION A-A
LESS STRAIN RELIEF

NOTES:

- DIMENSIONS IN [] ARE IN MILLIMETERS UNLESS OTHERWISE NOTED AND ARE FOR REFERENCE ONLY.

THIRD ANGLE	
-TOLERANCES-	
UNLESS OTHERWISE NOTED	
DIMENSIONS IN INCHES	
2 PL DEC	± .01
3 PL DEC	± .005
4 PL DEC	± .0005
ANGLES	± 1°

THIS DRAWING CONTAINS CONFIDENTIAL AND PROPRIETARY INFORMATION WHICH IS THE PROPERTY OF OMNETICS CONNECTOR CORP. THIS DOCUMENT MAY NOT, IN WHOLE OR IN PART, BE DUPLICATED, OR DISCLOSED FOR ANY PURPOSE, WITHOUT WRITTEN PERMISSION FROM OMNETICS CONNECTOR CORP.	
DFTM. ERB	DATE 03-10-16
CHK'D.	DATE
APP'D.	DATE

TITLE:
(16) PIN MALE
KEYED BREAK AWAY
CONNECTOR

OMNETICS
CONNECTOR CORPORATION
7260 COMMERCE CIRCLE EAST
MINNEAPOLIS, MN 55432
WWW.OMNETICS.COM

CAGE CODE 61873
DWG NO. A79442-001
SHEET 1 OF 1
SCALE: 3:1
REV A