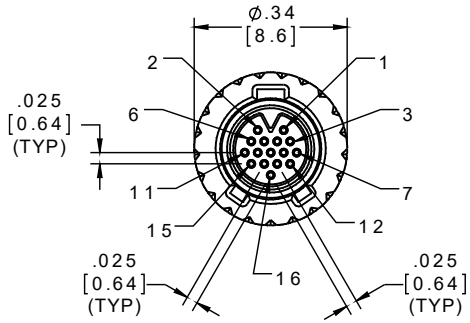
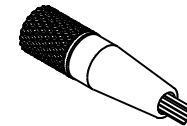
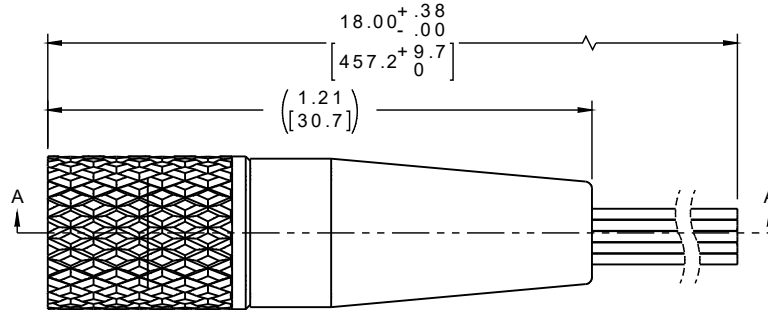


PART NO.	A79438-001	REV	ECO	DATE	APP
		A	102788	08-08-16	HV

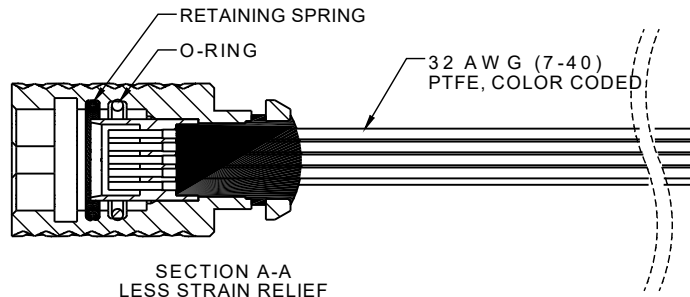


SOCKET #	COLOR
1, 11	BLACK
2, 12	BROWN
3, 13	RED
4, 14	ORANGE
5, 15	YELLOW
6, 16	GREEN
7	BLUE
8	VIOLET
9	GRAY
10	WHITE

INTERNAL USE ONLY
USE MFG LOADING
PROCEDURE NC-16S



ACTUAL SIZE
EXCLUDING WIRE LENGTH



SECTION A-A
LESS STRAIN RELIEF

NOTES:

- DIMENSIONS IN [] ARE IN MILLIMETERS UNLESS OTHERWISE NOTED AND ARE FOR REFERENCE ONLY.

THIRD ANGLE	
- TOLERANCES -	
UNLESS OTHERWISE NOTED	
DIMENSIONS IN INCHES	
2 PL DEC ± .01	
3 PL DEC ± .005	
4 PL DEC ± .0005	
ANGLES ± 1°	

THIS DRAWING CONTAINS CONFIDENTIAL AND PROPRIETARY INFORMATION WHICH IS THE PROPERTY OF OMNETICS CONNECTOR CORP. THIS DOCUMENT MAY NOT, IN WHOLE OR IN PART, BE DUPLICATED, OR DISCLOSED FOR ANY PURPOSE, WITHOUT WRITTEN PERMISSION FROM OMNETICS CONNECTOR CORP.	
DFTM. ERB	DATE 03-09-16
CHK'D.	DATE
APP'D.	DATE
TITLE: (16) SOCKET FEMALE KEYED NANO BREAK AWAY CIRCULAR CONNECTOR	

OMNETICS
CONNECTOR CORPORATION
7260 COMMERCE CIRCLE EAST
MINNEAPOLIS, MN 55432
WWW.OMNETICS.COM

CAGE CODE 61873
DWG NO. A79438-001
SHEET 1 OF 2
SCALE: 3:1
REV A