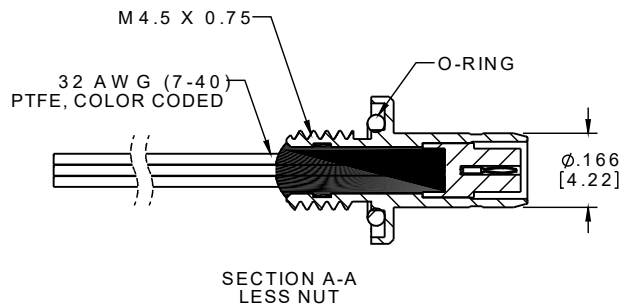
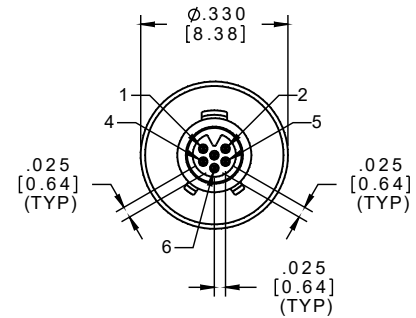
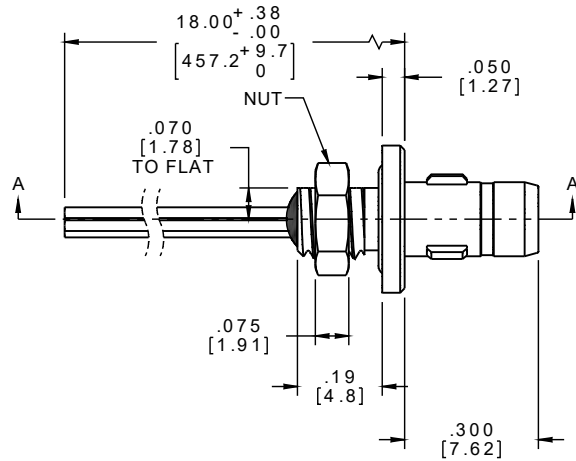
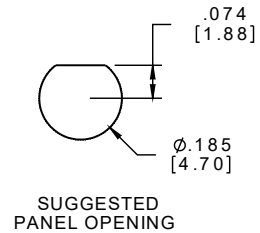


PART NO.	A79428-001	REV	ECO	DATE	APP
		A	102812	08-15-16	TLM



PIN #	COLOR
1	BLACK
2	BROWN
3	RED
4	ORANGE
5	YELLOW
6	GREEN

INTERNAL USE ONLY  
USE MFG LOADING  
PROCEDURE NC-6P



NOTES:

1. DIMENSIONS IN [ ] ARE IN MILLIMETERS UNLESS OTHERWISE NOTED AND ARE FOR REFERENCE ONLY.

KBNP SLDW	THIRD ANGLE
	-TOLERANCES-
	UNLESS OTHERWISE NOTED
	DIMENSIONS IN INCHES
2 PL DEC: .01	
3 PL DEC: .005	
4 PL DEC: .0005	
ANGLES ± 1°	

THIS DRAWING CONTAINS CONFIDENTIAL AND PROPRIETARY INFORMATION WHICH IS THE PROPERTY OF OMNETICS CONNECTOR CORP. THIS DOCUMENT MAY NOT, IN WHOLE OR IN PART, BE DUPLICATED, OR DISCLOSED FOR ANY PURPOSE, WITHOUT WRITTEN PERMISSION FROM OMNETICS CONNECTOR CORP.	
DFTM. JPF	DATE: 11-09-15
CHK'D.	DATE:
APP'D.	DATE:
TITLE: (6) PIN MALE NANO KEYED BREAK AWAY PANEL MOUNT SEALED CIRCULAR CONNECTOR	

**IP68**

**OMNETICS**  
CONNECTOR CORPORATION  
7260 COMMERCE CIRCLE EAST  
MINNEAPOLIS, MN 55432  
WWW.OMNETICS.COM

CAGE CODE 61873
DWG NO. A79428-001
SHEET 1 OF 2
SCALE: 3:1
REV A