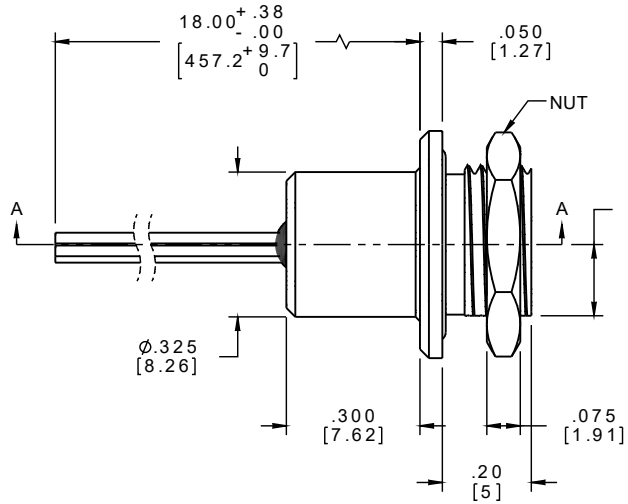


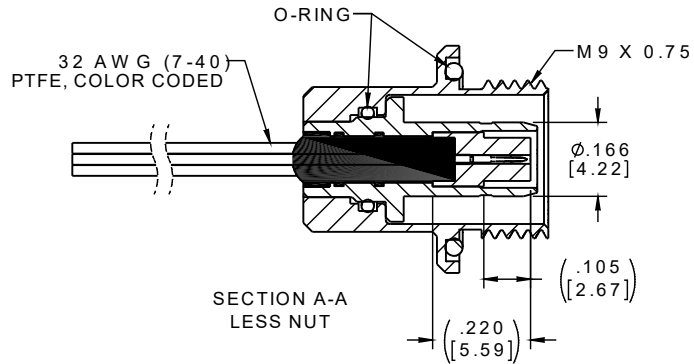
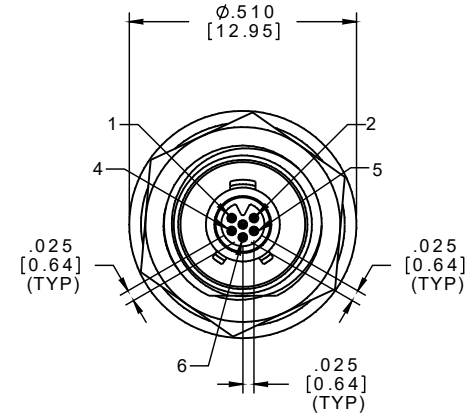
PART NO.	A79427-001	REV	ECO	DATE	APP
		A	102812	08-15-16	TLM



.160
[4.06]
TO FLAT

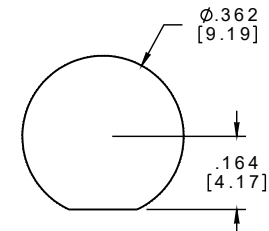


ACTUAL SIZE
EXCLUDING WIRE LENGTH



PIN #	COLOR
1	BLACK
2	BROWN
3	RED
4	ORANGE
5	YELLOW
6	GREEN

INTERNAL USE ONLY
USE MFG LOADING
PROCEDURE NC-6P



SUGGESTED
PANEL OPENING

IP68

NOTES:

1. DIMENSIONS IN [] ARE IN MILLIMETERS UNLESS OTHERWISE NOTED AND ARE FOR REFERENCE ONLY.

KBNP SLDW	THIRD ANGLE
	-TOLERANCES-
	UNLESS OTHERWISE NOTED
	DIMENSIONS IN INCHES
2 PL DEC: .01	
3 PL DEC: .005	
4 PL DEC: .0005	
ANGLES ± 1°	

THIS DRAWING CONTAINS CONFIDENTIAL AND PROPRIETARY INFORMATION WHICH IS THE PROPERTY OF OMNETICS CONNECTOR CORP. THIS DOCUMENT MAY NOT, IN WHOLE OR IN PART, BE DUPLICATED, OR DISCLOSED FOR ANY PURPOSE, WITHOUT WRITTEN PERMISSION FROM OMNETICS CONNECTOR CORP.	
DFTM. JPF	DATE: 11-25-15
CHK'D.	DATE:
APP'D.	DATE:
TITLE: (6) PIN MALE NANO KEYED BREAK AWAY PANEL MOUNT SEALED CIRCULAR CONNECTOR	

OMNETICS
CONNECTOR CORPORATION
7260 COMMERCE CIRCLE EAST
MINNEAPOLIS, MN 55432
WWW.OMNETICS.COM

CAGE CODE 61873
DWG NO. A79427-001
SHEET 1 OF 2
SCALE: 3:1
REV A