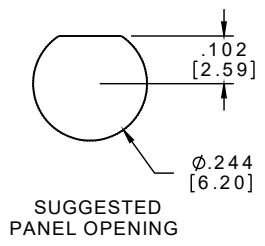
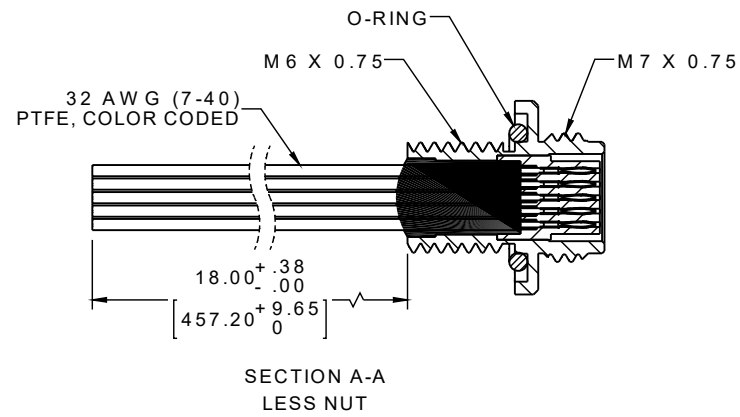
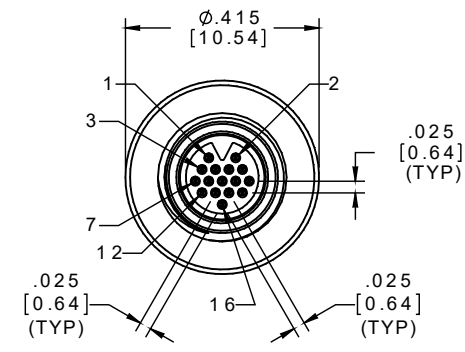
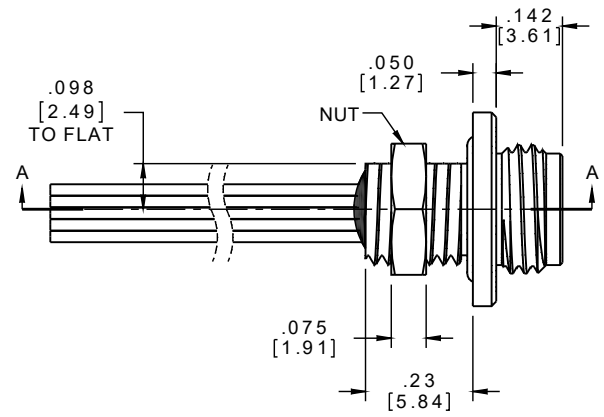


PART NO.	A79290-001	REV	ECO	DATE	APP
		D	101657	06-05-15	TLM



ACTUAL SIZE  
EXCLUDING WIRE LENGTH

PIN #	COLOR
1, 11	BLACK
2, 12	BROWN
3, 13	RED
4, 14	ORANGE
5, 15	YELLOW
6, 16	GREEN
7	BLUE
8	VIOLET
9	GRAY
10	WHITE

INTERNAL USE ONLY  
USE MFG LOADING  
PROCEDURE NC-16P

**IP68**

NOTE:  
DIMENSIONS IN [ ] ARE IN  
MILLIMETERS UNLESS  
OTHERWISE NOTED AND ARE  
FOR REFERENCE ONLY

MNCPL SLDWT	THIRD ANGLE	THIS DRAWING CONTAINS CONFIDENTIAL AND PROPRIETARY INFORMATION WHICH IS THE PROPERTY OF OMNETICS CONNECTOR CORP. THIS DOCUMENT MAY NOT, IN WHOLE OR IN PART, BE DUPLICATED, OR DISCLOSED FOR ANY PURPOSE, WITHOUT WRITTEN PERMISSION FROM OMNETICS CONNECTOR CORP.	DATE	TITLE: (16) PIN MALE NANO THREADED PANEL MOUNT SEALED CIRCULAR CONNECTOR
	-TOLERANCES-		DFTM. NJS	
	DIMENSIONS IN INCHES		DATE	
	2 PL DEC 2 .01		01-24-12	
3 PL DEC 2 .005	DATE	CHK'D.		
4 PL DEC 2 .0005	DATE	APP'D.		
ANGLES ± 1°				

**OMNETICS**  
CONNECTOR CORPORATION  
7260 COMMERCE CIRCLE EAST  
MINNEAPOLIS, MN 55432  
WWW.OMNETICS.COM

CAGE CODE 61873	
DWG NO. <b>A79290-001</b>	
SHEET 1 OF 2	REV D
SCALE: 3:1	