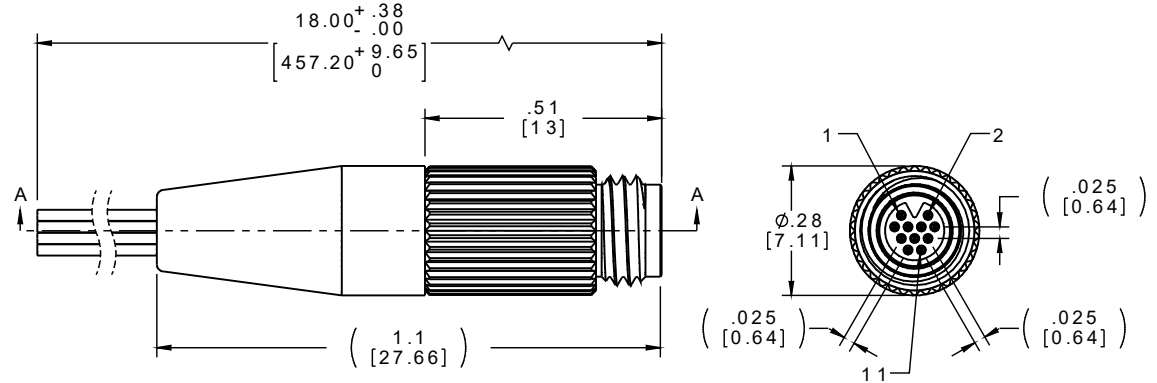


PART NO.	A79152-001	REV	ECO	DATE	APP
		C	99177	01-02-13	TLM

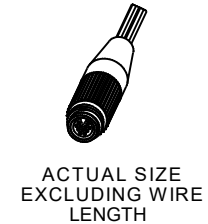
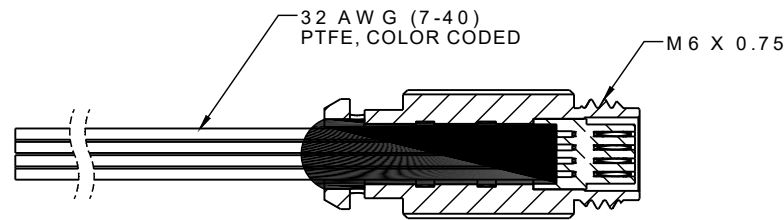
MATERIALS & FINISHES

- INSULATORS
 - THERMOPLASTIC PER MIL-M-24519
- CONTACT MATERIAL
 - PINS - BERYLLIUM COPPER PER ASTM B194, ALLOY C17200
- CONTACT FINISH
 - GOLD PLATE PER ASTM B488, TYPE II (HARD GOLD), CODE C, CLASS 1.27
- WIRE - STANDARD
 - 32 AWG, 7 STRAND, TYPE ET PER NEMA HP3
- SHELLS
 - BRASS ALLOY 360
- SHELL FINISH
 - ELECTROLESS NICKEL PER SAE-AMS-2404



PIN #	COLOR
1, 11	BLACK
2	BROWN
3	RED
4	ORANGE
5	YELLOW
6	GREEN
7	BLUE
8	VIOLET
9	GRAY
10	WHITE

INTERNAL USE ONLY
USE MFG LOADING
PROCEDURE NC-11P



NOTE:

DIMENSIONS IN [] ARE IN MILLIMETERS UNLESS OTHERWISE NOTED AND ARE FOR REFERENCE ONLY

MNCPLS/DW	THIRD ANGLE	THIS DRAWING CONTAINS CONFIDENTIAL AND PROPRIETARY INFORMATION WHICH IS THE PROPERTY OF OMNETICS CONNECTOR CORP. THIS DOCUMENT MAY NOT, IN WHOLE OR IN PART, BE DUPLICATED, OR DISCLOSED FOR ANY PURPOSE, WITHOUT WRITTEN PERMISSION FROM OMNETICS CONNECTOR CORP.		OMNETICS CONNECTOR CORPORATION 7260 COMMERCE CIRCLE EAST MINNEAPOLIS, MN 55432 WWW.OMNETICS.COM	CAGE CODE 61873		
	-TOLERANCES-	DFTM. JPF	DATE 03-26-09		TITLE:	DWG NO. A79152-001	
	UNLESS OTHERWISE NOTED	CHK'D.	DATE		(11) PIN MALE	SHEET 1 OF 1	
	DIMENSIONS IN INCHES	APP'D.	DATE		CIRCULAR CONNECTOR W/ METAL SHELL	SCALE: 3:1	REV C