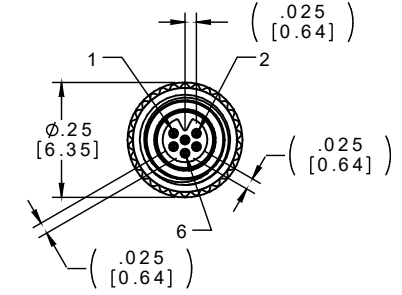
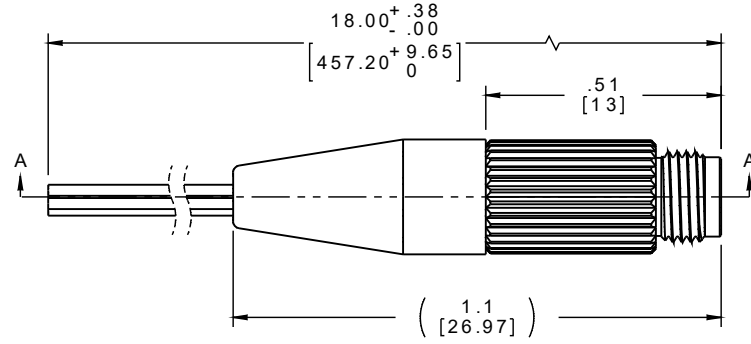


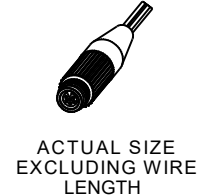
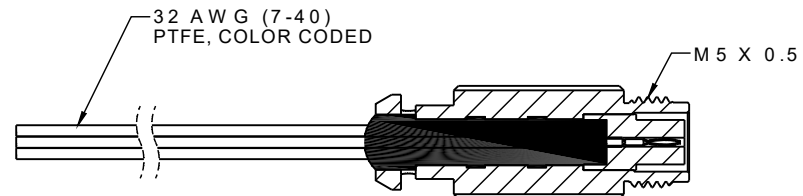
PART NO.	A79150-001	REV	ECO	DATE	APP
		C	99177	01-02-13	TLM

MATERIALS & FINISHES

- INSULATORS
 - THERMOPLASTIC PER MIL-M-24519
- CONTACT MATERIAL
 - PINS - BERYLLIUM COPPER PER ASTM B194, ALLOY C17200
- CONTACT FINISH
 - GOLD PLATE PER ASTM B488, TYPE II (HARD GOLD), CODE C, CLASS 1.27
- WIRE - STANDARD
 - 32 AWG, 7 STRAND, TYPE ET PER NEMA HP3
- SHELLS
 - BRASS ALLOY 360
- SHELL FINISH
 - ELECTROLESS NICKEL PER SAE-AMS-2404



PIN #	COLOR
1	BLACK
2	BROWN
3	RED
4	ORANGE
5	YELLOW
6	GREEN



INTERNAL USE ONLY
USE MFG LOADING
PROCEDURE NC-6P

SECTION A - A
LESS STRAIN RELIEF

NOTE:

DIMENSIONS IN [] ARE IN MILLIMETERS UNLESS OTHERWISE NOTED AND ARE FOR REFERENCE ONLY

MNO P SLDW	THIRD ANGLE	THIS DRAWING CONTAINS CONFIDENTIAL AND PROPRIETARY INFORMATION WHICH IS THE PROPERTY OF OMNETICS CONNECTOR CORP. THIS DOCUMENT MAY NOT, IN WHOLE OR IN PART, BE DUPLICATED, OR DISCLOSED FOR ANY PURPOSE, WITHOUT WRITTEN PERMISSION FROM OMNETICS CONNECTOR CORP.		CAGE CODE	61873
	-TOLERANCES-			DWG NO.	A79150-001
	UNLESS OTHERWISE NOTED				
	DIMENSIONS IN INCHES				
2 PL DEC ± .01	DFTM. JPF	DATE	03-26-09	TITLE:	(6) PIN MALE
3 PL DEC ± .005	CHK'D.	DATE		CIRCULAR CONNECTOR	
4 PL DEC ± .0005	APP'D.	DATE		W/METAL SHELL	
ANGLES ± 1°				7260 COMMERCE CIRCLE EAST	
				MINNEAPOLIS, MN 55432	
				WWW.OMNETICS.COM	
				SHEET 1 OF 1	REV
				SCALE: 3:1	C