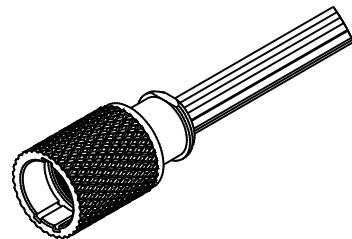
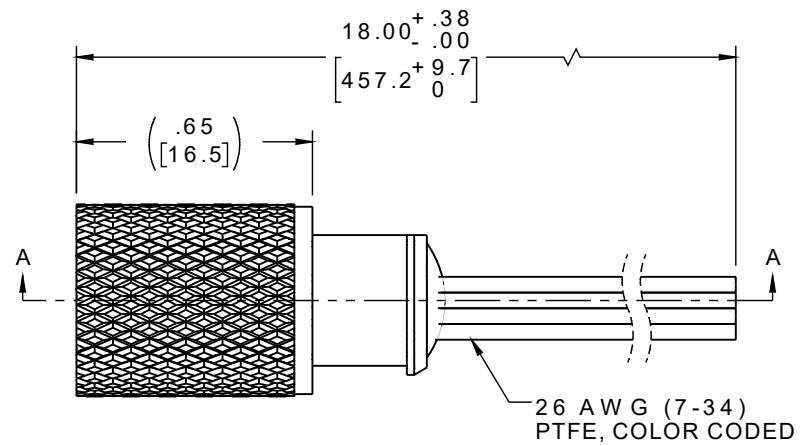
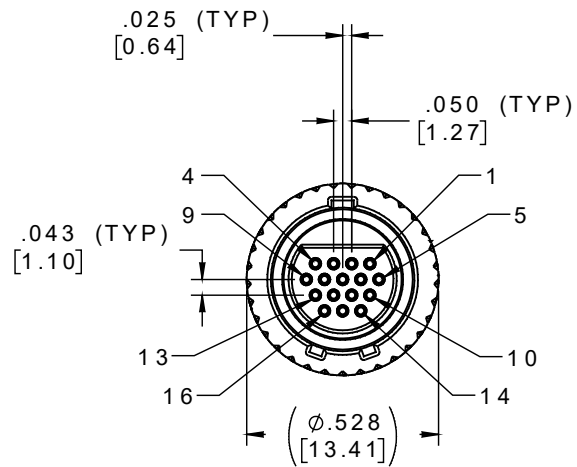
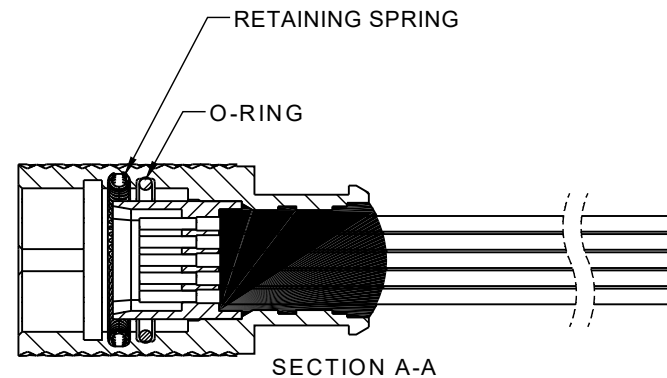


PART NO.	A22567-001	REV	ECO	DATE	APP
		1			



ACTUAL SIZE
EXCLUDING WIRE LENGTH

SOCKET #	COLOR
1, 11	BLACK
2, 12	BROWN
3, 13	RED
4, 14	ORANGE
5, 15	YELLOW
6, 16	GREEN
7	BLUE
8	VIOLET
9	GRAY
10	WHITE



NOTES:

1. DIMENSIONS IN [] ARE IN MILLIMETERS UNLESS OTHERWISE NOTED AND ARE FOR REFERENCE ONLY

KBMS SLDW	THIRD ANGLE	THIS DRAWING CONTAINS CONFIDENTIAL AND PROPRIETARY INFORMATION WHICH IS THE PROPERTY OF OMNETICS CONNECTOR CORP. THIS DOCUMENT MAY NOT, IN WHOLE OR IN PART, BE DUPLICATED, OR DISCLOSED FOR ANY PURPOSE, WITHOUT WRITTEN PERMISSION FROM OMNETICS CONNECTOR CORP.
	-TOLERANCES- UNLESS OTHERWISE NOTED	
	DIMENSIONS IN INCHES	
	2 PL DEC ± .01 3 PL DEC ± .005 4 PL DEC ± .0005 ANGLES ± 1°	
	TITLE: DFTM. NPS DATE 06-05-23	(16) SOCKET FEMALE MICRO BREAK AWAY CIRCULAR CONNECTOR

OMNETICS
 CONNECTOR CORPORATION
 8840 EVERGREEN BLVD.
 MINNEAPOLIS, MN 55433
 WWW.OMNETICS.COM

DWG NO.	CAGE CODE 61873
A22567-001	
SHEET 1 OF 1	SCALE: 2:1
	REV 1