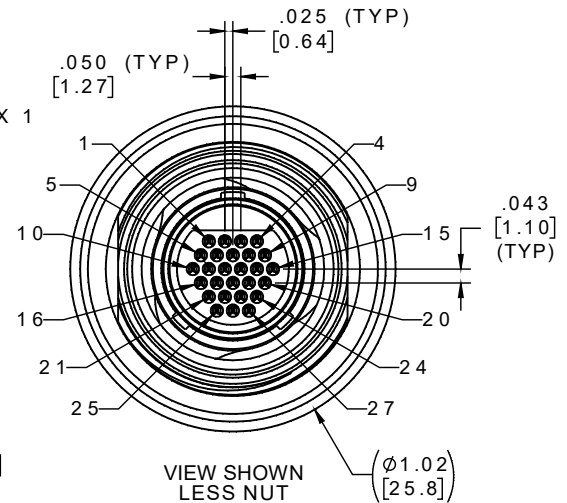
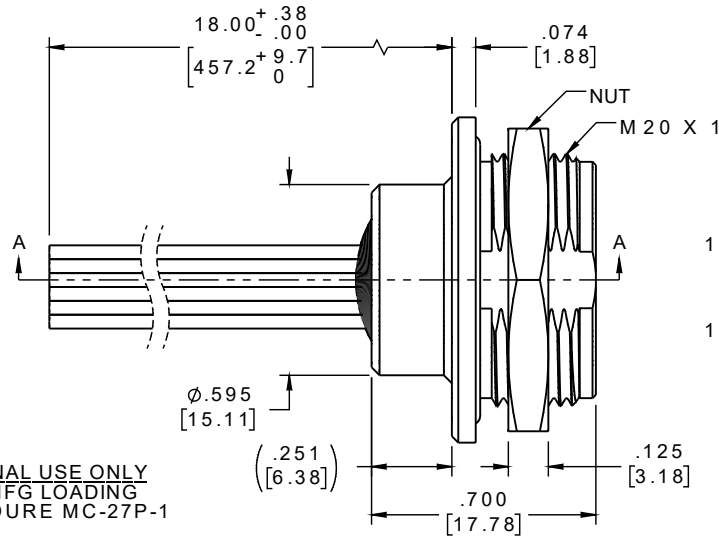


PIN #	COLOR
1	BLACK
2	BROWN
3	RED
4	ORANGE
5	YELLOW
6	GREEN
7	BLUE
8	VIOLET
9	GRAY
10	WHITE
11	WHT/BLACK
12	WHT/BROWN
13	WHT/RED
14	WHT/ORANGE
15	WHT/YELLOW
16	WHT/GREEN
17	WHT/BLUE
18	WHT/VIOLET
19	WHT/GRAY
20	WHT/BLK/BRN
21	WHT/BLK/RED
22	WHT/BLK/ORG
23	WHT/BLK/YEL
24	WHT/BLK/GRN
25	WHT/BLK/BLU
26	WHT/BLK/VIO
27	WHT/BLK/GRY

PART NO.	A22517-001	REV	ECO	DATE	APP
		A	103181	01-19-17	TLM

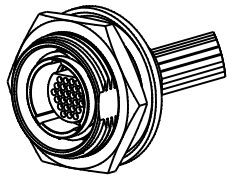
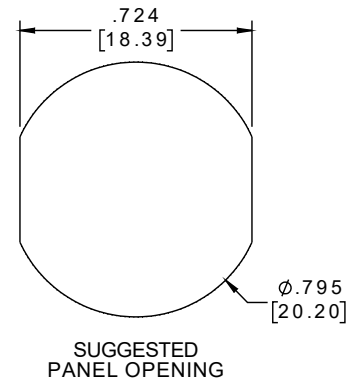
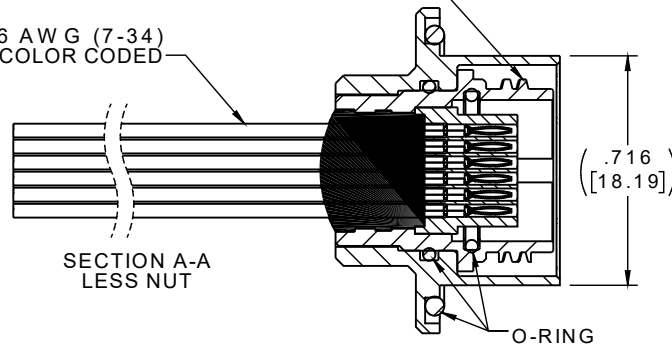


INTERNAL USE ONLY
USE MFG LOADING
PROCEDURE MC-27P-1

.57-20-ACME-2G
TRIPLE START THREAD

26 AWG (7-34)
PTFE, COLOR CODED

SECTION A-A
LESS NUT



ACTUAL SIZE
EXCLUDING WIRE LENGTH

IP68

NOTES:

DIMENSIONS IN [] ARE IN
MILLIMETERS UNLESS
OTHERWISE NOTED AND ARE
FOR REFERENCE ONLY

RMCP/SLDW	THIRD ANGLE
	-TOLERANCES-
	UNLESS OTHERWISE NOTED
	DIMENSIONS IN INCHES
	2 PL DEC ± .01
	3 PL DEC ± .005
	4 PL DEC ± .0005
	ANGLES ± 1°

THIS DRAWING CONTAINS CONFIDENTIAL AND PROPRIETARY INFORMATION WHICH IS THE PROPERTY OF OMNETICS CONNECTOR CORP. THIS DOCUMENT MAY NOT, IN WHOLE OR IN PART, BE DUPLICATED, OR DISCLOSED FOR ANY PURPOSE, WITHOUT WRITTEN PERMISSION FROM OMNETICS CONNECTOR CORP.

DFTM. WLE	DATE
CHK'D.	DATE
APP'D.	DATE

TITLE:
(27) PIN MALE MICRO
TRIPLE THREAD, KEYED
SEALED CIRCULAR CONNECTOR

OMNETICS
CONNECTOR CORPORATION
7260 COMMERCE CIRCLE EAST
MINNEAPOLIS, MN 55432
WWW.OMNETICS.COM

CAGE CODE 61873	REV
DWG NO. A22517-001	A
SHEET 1 OF 2	SCALE: 2:1