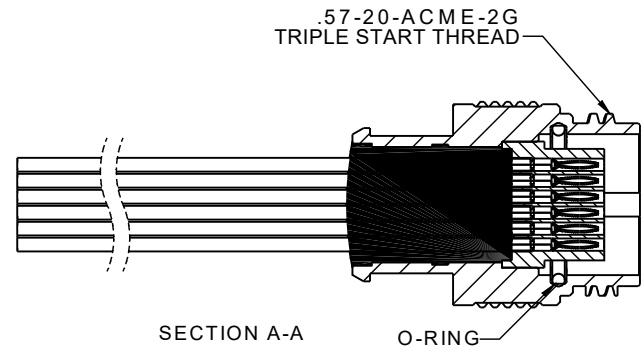
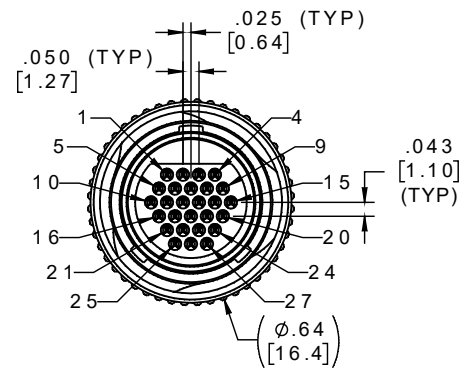
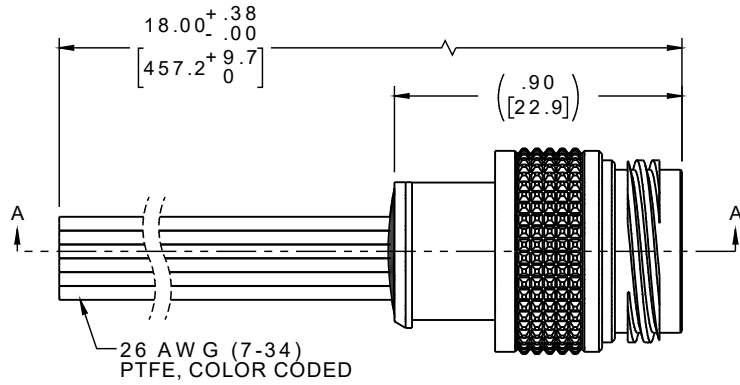


PART NO.	A 22512-001	REV	ECO	DATE	APP
		A	103181	01-19-17	TLM



PIN #	COLOR	PIN #	COLOR
1	BLACK	15	WHT/YELLOW
2	BROWN	16	WHT/GREEN
3	RED	17	WHT/BLUE
4	ORANGE	18	WHT/VIOLET
5	YELLOW	19	WHT/GRAY
6	GREEN	20	WHT/BLK/BRN
7	BLUE	21	WHT/BLK/RED
8	VIOLET	22	WHT/BLK/ORG
9	GRAY	23	WHT/BLK/YEL
10	WHITE	24	WHT/BLK/GRN
11	WHT/BLACK	25	WHT/BLK/BLU
12	WHT/BROWN	26	WHT/BLK/VIO
13	WHT/RED	27	WHT/BLK/GRY
14	WHT/ORANGE		



INTERNAL USE ONLY
USE MFG LOADING
PROCEDURE MC-27P-1

NOTE:
DIMENSIONS IN [] ARE IN MILLIMETERS UNLESS OTHERWISE NOTED AND ARE FOR REFERENCE ONLY

RMCP P SLDW	THIRD ANGLE -TOLERANCES- <small>UNLESS OTHERWISE NOTED</small>	<small>THIS DRAWING CONTAINS CONFIDENTIAL AND PROPRIETARY INFORMATION WHICH IS THE PROPERTY OF OMNETICS CONNECTOR CORP. THIS DOCUMENT MAY NOT, IN WHOLE OR IN PART, BE DUPLICATED, OR DISCLOSED FOR ANY PURPOSE, WITHOUT WRITTEN PERMISSION FROM OMNETICS CONNECTOR CORP.</small>		OMNETICS CONNECTOR CORPORATION 7260 COMMERCE CIRCLE EAST MINNEAPOLIS, MN 55432 WWW.OMNETICS.COM	CAGE CODE 61873 DWG NO. A22512-001	
	<small>DIMENSIONS IN INCHES</small> 2 PL DEC ± .01 3 PL DEC ± .005 4 PL DEC ± .0005 ANGLES ± 1°	DFTM. WLE DATE 02-09-16 CHK'D. DATE APP'D. DATE	TITLE: (27) PIN MALE MICRO TRIPLE THREAD, KEYED CIRCULAR CONNECTOR		SHEET 1 OF 2 SCALE: 2:1	REV A