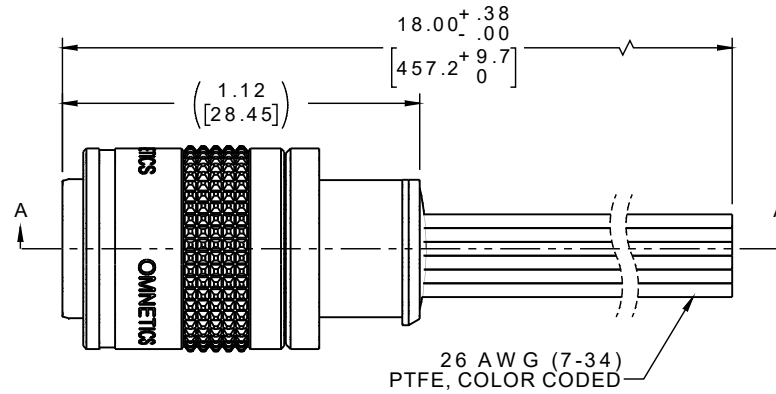
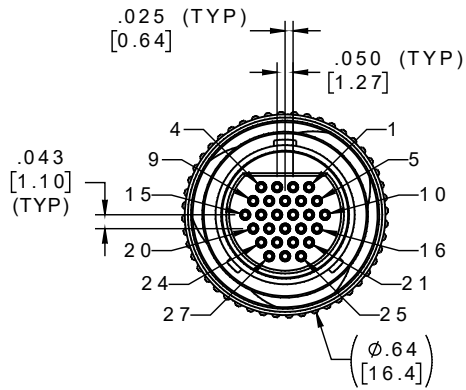
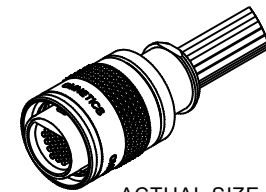
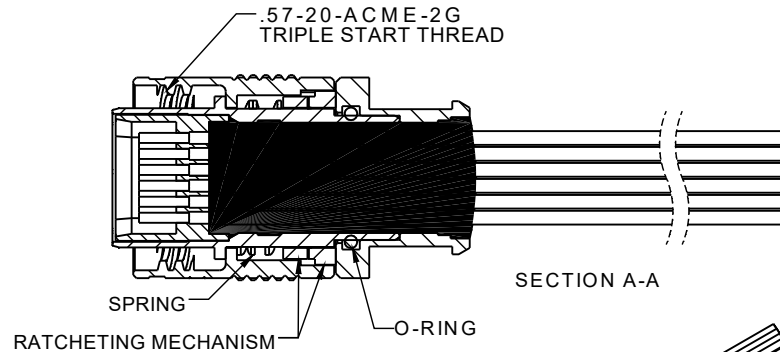


PART NO.	A22511-001	REV	ECO	DATE	APP
		A	103181	01-19-17	TLM



SOCKET #	COLOR	SOCKET #	COLOR
1	BLACK	15	WHT/YELLOW
2	BROWN	16	WHT/GREEN
3	RED	17	WHT/BLUE
4	ORANGE	18	WHT/VIOLET
5	YELLOW	19	WHT/GRAY
6	GREEN	20	WHT/BLK/BRN
7	BLUE	21	WHT/BLK/RED
8	VIOLET	22	WHT/BLK/ORG
9	GRAY	23	WHT/BLK/YEL
10	WHITE	24	WHT/BLK/GRN
11	WHT/BLACK	25	WHT/BLK/BLU
12	WHT/BROWN	26	WHT/BLK/VIO
13	WHT/RED	27	WHT/BLK/GRY
14	WHT/ORANGE		



ACTUAL SIZE
EXCLUDING WIRE LENGTH

INTERNAL USE ONLY
USE MFG LOADING
PROCEDURE MC-27S-1

NOTE:

DIMENSIONS IN [] ARE IN MILLIMETERS UNLESS OTHERWISE NOTED AND ARE FOR REFERENCE ONLY

RMC/S ISL/DW	THIRD ANGLE
	-TOLERANCES- UNLESS OTHERWISE NOTED
	DIMENSIONS IN INCHES
	2 P L D E C ± .01 3 P L D E C ± .005 4 P L D E C ± .0005 ANGLES ± 1°

THIS DRAWING CONTAINS CONFIDENTIAL AND PROPRIETARY INFORMATION WHICH IS THE PROPERTY OF OMNETICS CONNECTOR CORP. THIS DOCUMENT MAY NOT, IN WHOLE OR IN PART, BE DUPLICATED, OR DISCLOSED FOR ANY PURPOSE, WITHOUT WRITTEN PERMISSION FROM OMNETICS CONNECTOR CORP.

DFTM. WLE	DATE
CHK'D.	DATE
APP'D.	DATE

TITLE:
(27) SOCKET FEMALE MICRO
TRIPLE THREAD, KEYED
CIRCULAR CONNECTOR

OMNETICS
CONNECTOR CORPORATION
7260 COMMERCE CIRCLE EAST
MINNEAPOLIS, MN 55432
WWW.OMNETICS.COM

CAGE CODE 61873	
DWG NO. A22511-001	
SHEET 1 OF 2	REV A
SCALE: 2:1	