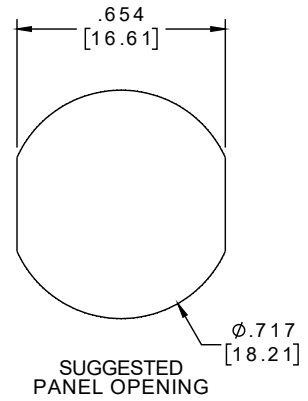
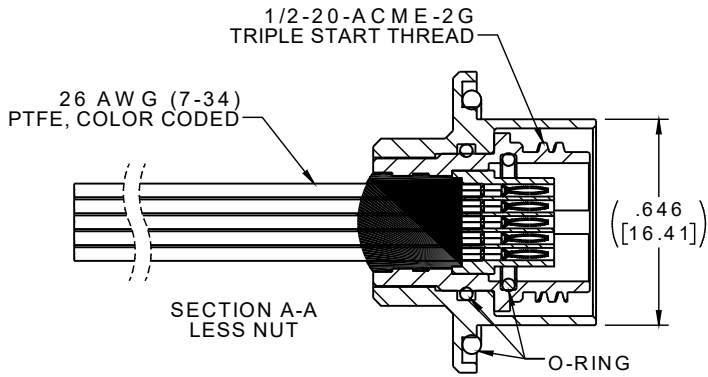
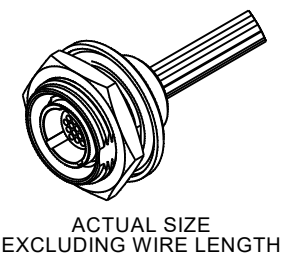
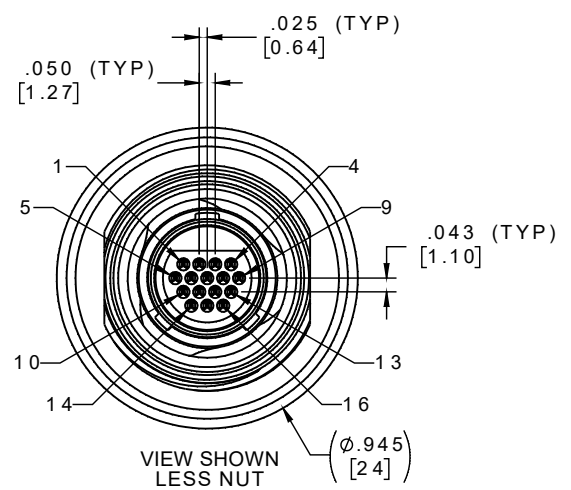
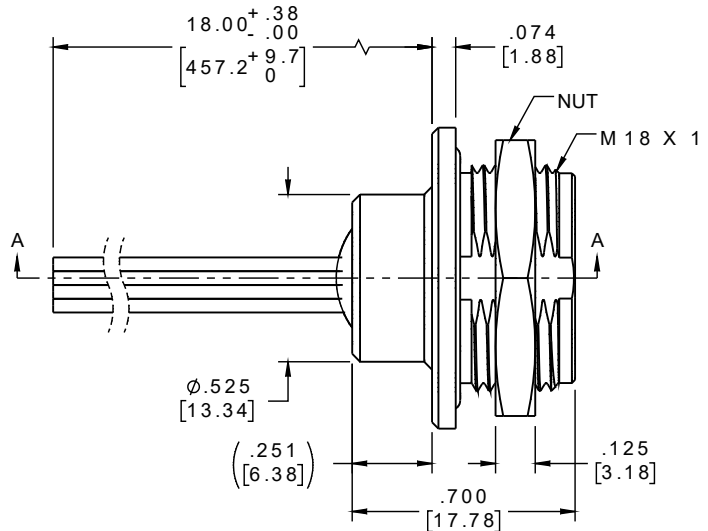


| | | | | | |
|----------|-------------|-----|--------|----------|-----|
| PART NO. | A 22510-001 | REV | ECO | DATE | APP |
| | | A | 103180 | 01-19-17 | TLM |

| PIN # | COLOR |
|-------|------------|
| 1 | BLACK |
| 2 | BROWN |
| 3 | RED |
| 4 | ORANGE |
| 5 | YELLOW |
| 6 | GREEN |
| 7 | BLUE |
| 8 | VIOLET |
| 9 | GRAY |
| 10 | WHITE |
| 11 | WHT/BLACK |
| 12 | WHT/BROWN |
| 13 | WHT/RED |
| 14 | WHT/ORANGE |
| 15 | WHT/YELLOW |
| 16 | WHT/GREEN |

INTERNAL USE ONLY
USE MFG LOADING
PROCEDURE MC-16P-1



IP68

NOTES:
DIMENSIONS IN [] ARE IN MILLIMETERS UNLESS OTHERWISE NOTED AND ARE FOR REFERENCE ONLY

| | | | |
|--|--|---------------|--|
| THIRD ANGLE -TOLERANCES- UNLESS OTHERWISE NOTED DIMENSIONS IN INCHES 2 P L D E C ± .01 3 P L D E C ± .005 4 P L D E C ± .0005 ANGLES ± 1° | THIS DRAWING CONTAINS CONFIDENTIAL AND PROPRIETARY INFORMATION WHICH IS THE PROPERTY OF OMNETICS CONNECTOR CORP. THIS DOCUMENT MAY NOT, IN WHOLE OR IN PART, BE DUPLICATED, OR DISCLOSED FOR ANY PURPOSE, WITHOUT WRITTEN PERMISSION FROM OMNETICS CONNECTOR CORP. | | TITLE: (16) PIN MALE MICRO TRIPLE THREAD, KEYED SEALED CIRCULAR CONNECTOR |
| | DFTM. WLE | DATE 05-01-15 | |
| | CHK'D. | DATE | |
| | APP'D. | DATE | |

OMNETICS
CONNECTOR CORPORATION
7260 COMMERCE CIRCLE EAST
MINNEAPOLIS, MN 55432
WWW.OMNETICS.COM

| | |
|-----------------|--------------------|
| CAGE CODE 61873 | DWG NO. A22510-001 |
| SHEET 1 OF 2 | REV A |
| SCALE: 2:1 | |