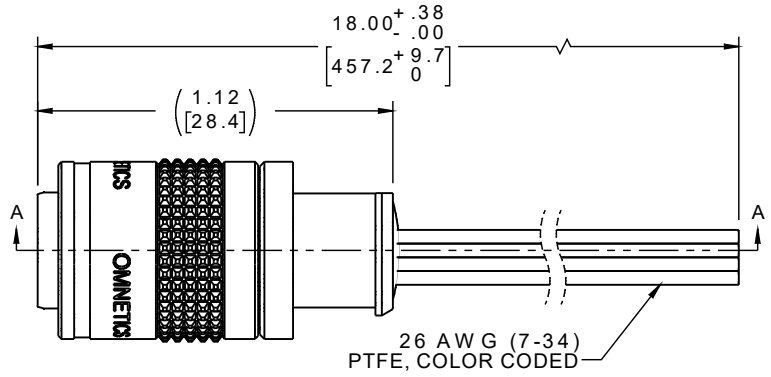
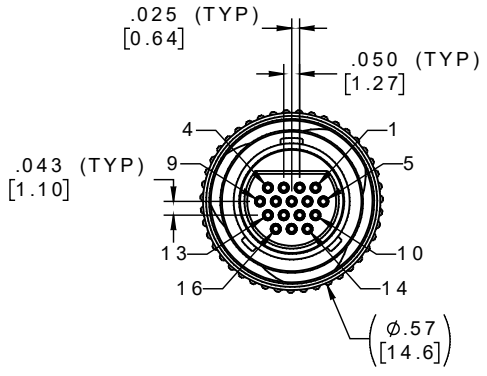
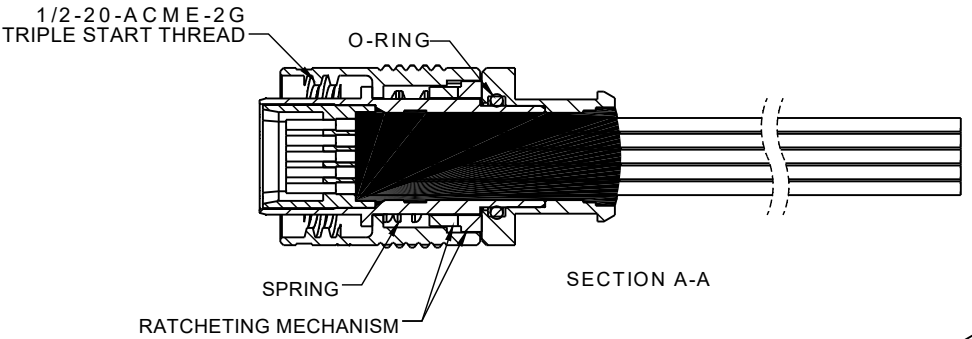


PART NO.	A22504-001	REV	ECO	DATE	APP
		A	103180	01-19-17	TLM



SOCKET #	COLOR
1	BLACK
2	BROWN
3	RED
4	ORANGE
5	YELLOW
6	GREEN
7	BLUE
8	VIOLET
9	GRAY
10	WHITE
11	WHT/BLACK
12	WHT/BROWN
13	WHT/RED
14	WHT/ORANGE
15	WHT/YELLOW
16	WHT/GREEN



ACTUAL SIZE EXCLUDING WIRE LENGTH

INTERNAL USE ONLY
USE MFG LOADING
PROCEDURE MC-16S-1

NOTES:
DIMENSIONS IN [] ARE IN MILLIMETERS UNLESS OTHERWISE NOTED AND ARE FOR REFERENCE ONLY

RWMS SLDW	THIRD ANGLE		THIS DRAWING CONTAINS CONFIDENTIAL AND PROPRIETARY INFORMATION WHICH IS THE PROPERTY OF OMNETICS CONNECTOR CORP. THIS DOCUMENT MAY NOT, IN WHOLE OR IN PART, BE DUPLICATED, OR DISCLOSED FOR ANY PURPOSE, WITHOUT WRITTEN PERMISSION FROM OMNETICS CONNECTOR CORP.
	-TOLERANCES-		
	UNLESS OTHERWISE NOTED		
	DIMENSIONS IN INCHES		
	DFTM. WLE	DATE	TITLE:
	CHK'D.	DATE	(16) SOCKET FEMALE MICRO
	APP'D.	DATE	TRIPLE THREAD, KEYED
			CIRCULAR CONNECTOR

OMNETICS CONNECTOR CORPORATION 7260 COMMERCE CIRCLE EAST MINNEAPOLIS, MN 55432 WWW.OMNETICS.COM	CAGE CODE 61873
	DWG NO. A22504-001
SHEET 1 OF 2	REV A
SCALE: 2:1	