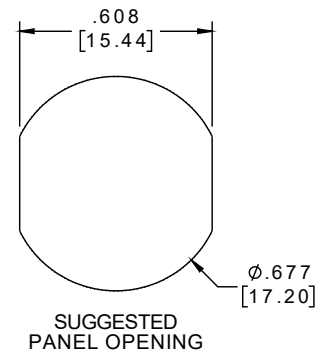
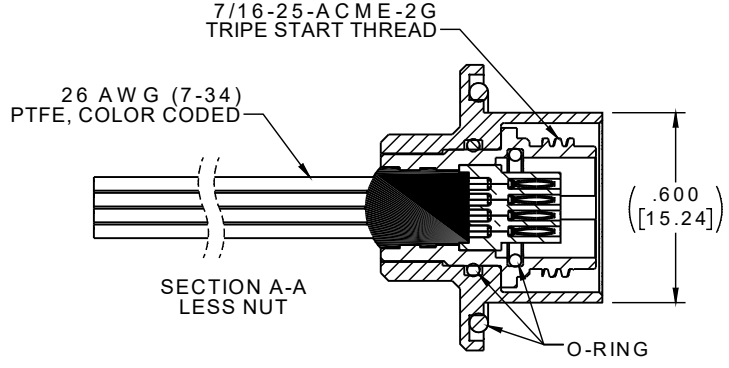
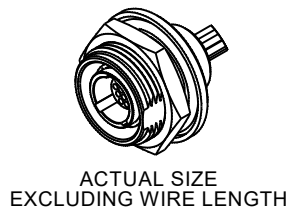
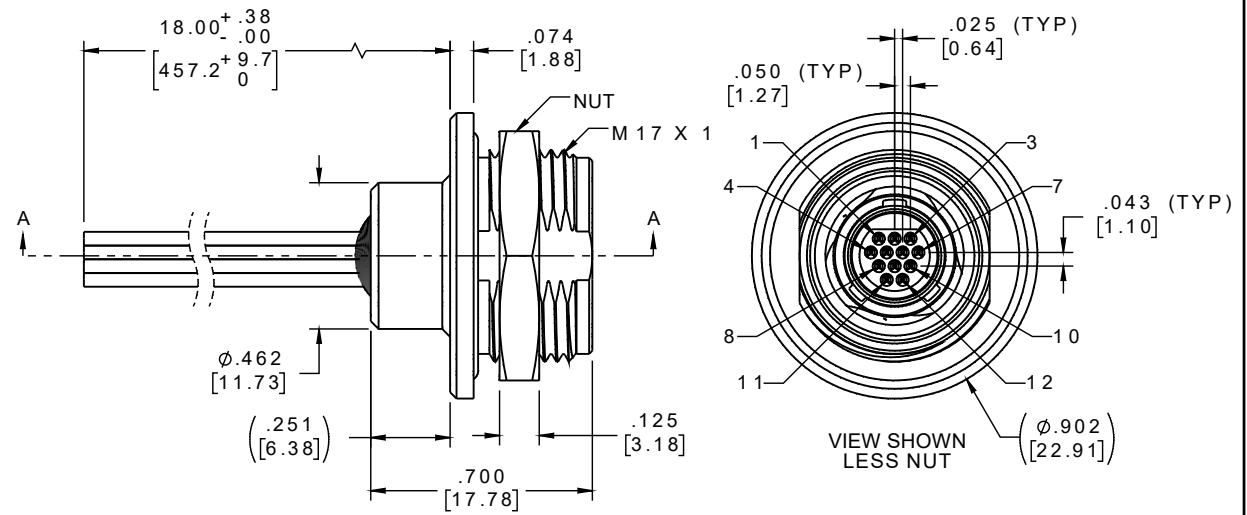


PART NO.	A22503-001	REV	ECO	DATE	APP
		A	103179	01-18-17	TLM

PIN #	COLOR
1	BLACK
2	BROWN
3	RED
4	ORANGE
5	YELLOW
6	GREEN
7	BLUE
8	VIOLET
9	GRAY
10	WHITE
11	WHT/BLACK
12	WHT/BROWN

INTERNAL USE ONLY
USE MFG LOADING
PROCEDURE MC-12P



IP68

NOTES:
DIMENSIONS IN [] ARE IN
MILLIMETERS UNLESS
OTHERWISE NOTED AND ARE
FOR REFERENCE ONLY

RMCP SLDW	THIRD ANGLE	THIS DRAWING CONTAINS CONFIDENTIAL AND PROPRIETARY INFORMATION WHICH IS THE PROPERTY OF OMNETICS CONNECTOR CORP. THIS DOCUMENT MAY NOT, IN WHOLE OR IN PART, BE DUPLICATED, OR DISCLOSED FOR ANY PURPOSE, WITHOUT WRITTEN PERMISSION FROM OMNETICS CONNECTOR CORP.	
	-TOLERANCES- UNLESS OTHERWISE NOTED	DFTM. WLE	DATE: 09-02-15
	DIMENSIONS IN INCHES	CHK'D.	DATE:
	2 P L D E C ± .01 3 P L D E C ± .005 4 P L D E C ± .0005 ANGLES ± 1°	APP'D.	DATE:

OMNETICS
CONNECTOR CORPORATION
7260 COMMERCE CIRCLE EAST
MINNEAPOLIS, MN 55432
WWW.OMNETICS.COM

CAGE CODE 61873	REV A
DWG NO. A22503-001	SCALE: 2:1
SHEET 1 OF 2	