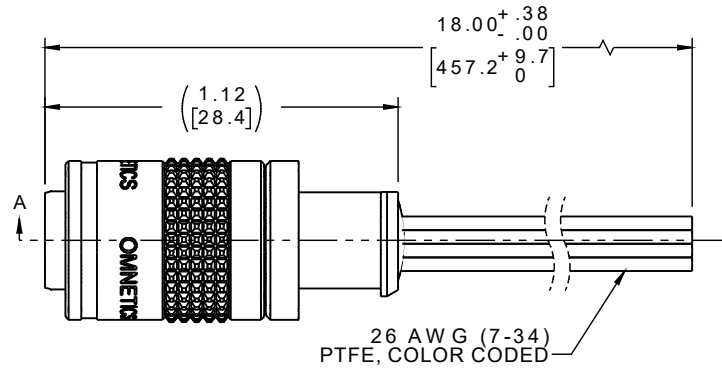
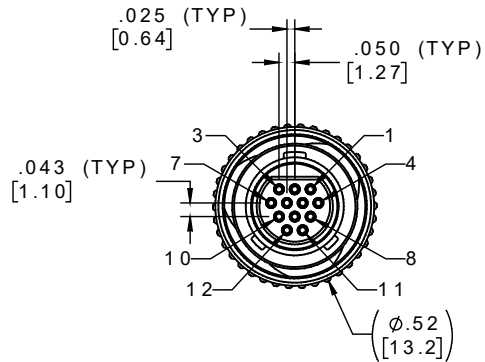
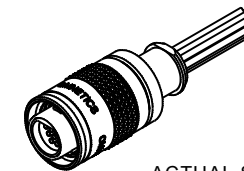
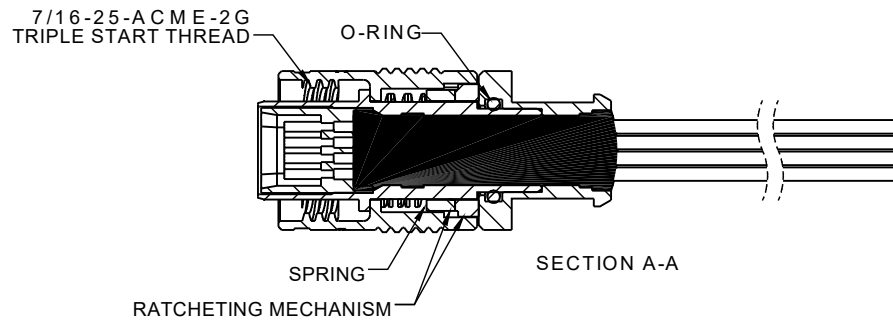


PART NO.	A22497-001	REV	ECO	DATE	APP
		A	103179	01-18-17	TLM



SOCKET #	COLOR
1	BLACK
2	BROWN
3	RED
4	ORANGE
5	YELLOW
6	GREEN
7	BLUE
8	VIOLET
9	GRAY
10	WHITE
11	WHT/BLACK
12	WHT/BROWN

INTERNAL USE ONLY
USE MFG LOADING
PROCEDURE MC-12S



ACTUAL SIZE
EXCLUDING WIRE LENGTH

NOTE:

DIMENSIONS IN [] ARE IN
MILLIMETERS UNLESS
OTHERWISE NOTED AND ARE
FOR REFERENCE ONLY

DIMENSIONS IN INCHES 2 PL DEC ± .01 3 PL DEC ± .005 4 PL DEC ± .0005 ANGLES ± 1°	THIRD ANGLE -TOLERANCES- <small>UNLESS OTHERWISE NOTED</small>	<small>THIS DRAWING CONTAINS CONFIDENTIAL AND PROPRIETARY INFORMATION WHICH IS THE PROPERTY OF OMNETICS CONNECTOR CORP. THIS DOCUMENT MAY NOT, IN WHOLE OR IN PART, BE DUPLICATED, OR DISCLOSED FOR ANY PURPOSE, WITHOUT WRITTEN PERMISSION FROM OMNETICS CONNECTOR CORP.</small>	OMNETICS CONNECTOR CORPORATION 7260 COMMERCE CIRCLE EAST MINNEAPOLIS, MN 55432 WWW.OMNETICS.COM	CAGE CODE 61873 DWG NO. A22497-001 SHEET 1 OF 2 SCALE: 2:1
	DATE: 02-09-16 DATE:	TITLE: (12) SOCKET FEMALE MICRO TRIPLE THREAD, KEYED CIRCULAR CONNECTOR	REV: A	APP'D.
	DFTM. WLE CHK'D. APP'D.	DATE:	REV: A	DATE:
	DATE:	DATE:	REV: A	DATE: