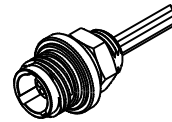
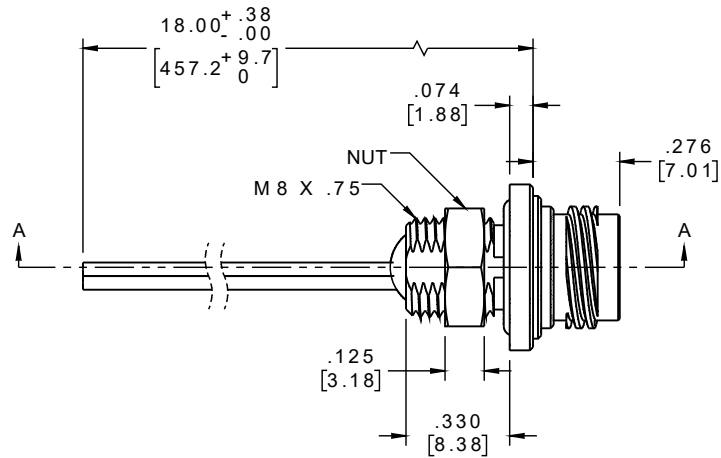
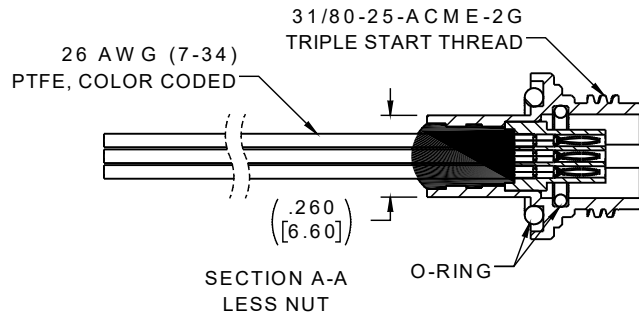
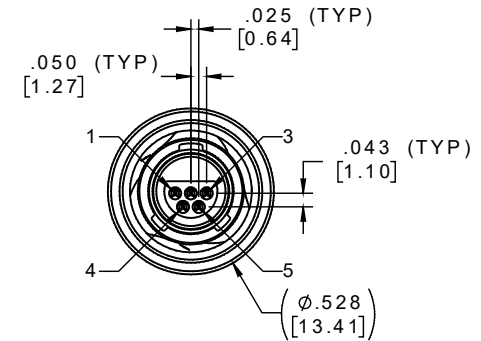


PART NO.	A 22494-001	REV	ECO	DATE	APP
		A	103177	01-18-17	TLM

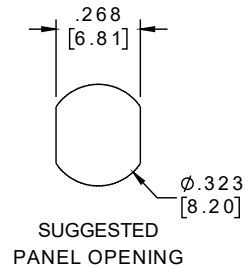


ACTUAL SIZE  
EXCLUDING WIRE LENGTH



PIN	COLOR
1	BLACK
2	BROWN
3	RED
4	ORANGE
5	YELLOW

INTERNAL USE ONLY  
USE MFG LOADING  
PROCEDURE MC-5P



**IP68**

NOTES:

DIMENSIONS IN [ ] ARE IN MILLIMETERS UNLESS OTHERWISE NOTED AND ARE FOR REFERENCE ONLY

THIRD ANGLE -TOLERANCES- UNLESS OTHERWISE NOTED DIMENSIONS IN INCHES 2 PL DEC ± .01 3 PL DEC ± .005 4 PL DEC ± .0005 ANGLES ± 1°	THIS DRAWING CONTAINS CONFIDENTIAL AND PROPRIETARY INFORMATION WHICH IS THE PROPERTY OF OMNETICS CONNECTOR CORP. THIS DOCUMENT MAY NOT, IN WHOLE OR IN PART, BE DUPLICATED, OR DISCLOSED FOR ANY PURPOSE, WITHOUT WRITTEN PERMISSION FROM OMNETICS CONNECTOR CORP.	
	DFTM. WLE	DATE 09-22-15
	CHK'D.	DATE
	APP'D.	DATE

TITLE:  
(5) PIN MALE MICRO  
TRIPLE THREAD, KEYED  
SEALED CIRCULAR CONNECTOR

**OMNETICS**  
CONNECTOR CORPORATION  
7260 COMMERCE CIRCLE EAST  
MINNEAPOLIS, MN 55432  
WWW.OMNETICS.COM

CAGE CODE 6 1 8 7 3
DWG NO. A 22494-001
SHEET 1 OF 2
SCALE: 2:1
REV A