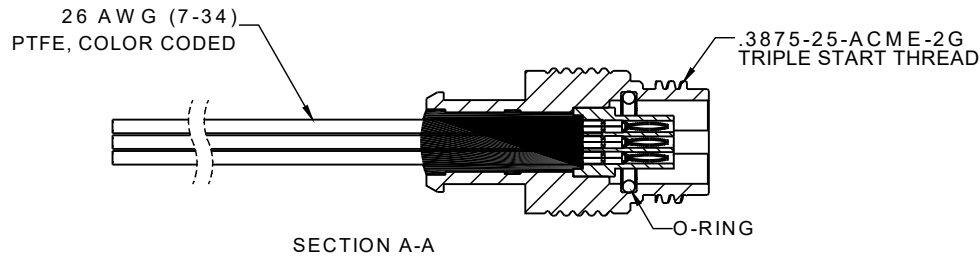
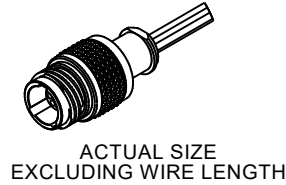
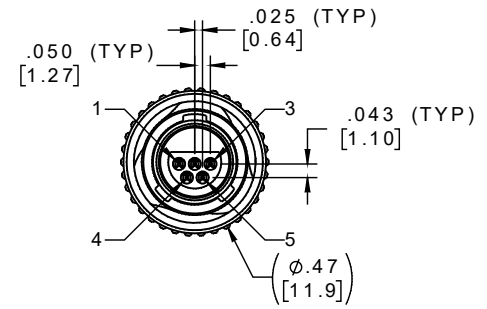
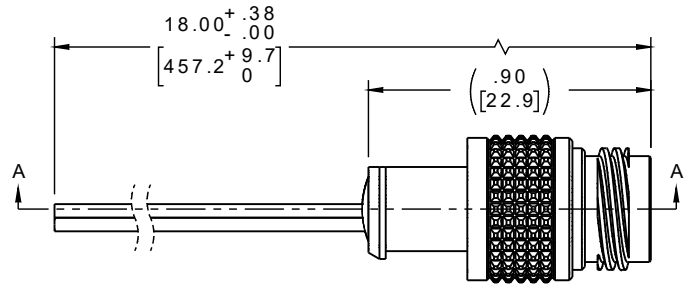


PART NO.	A22491-001	REV	ECO	DATE	APP
		A	103177	01-18-17	TLM



PIN #	COLOR
1	BLACK
2	BROWN
3	RED
4	ORANGE
5	YELLOW

INTERNAL USE ONLY  
USE MFG LOADING  
PROCEDURE MC-5P

NOTES:

DIMENSIONS IN [ ] ARE IN MILLIMETERS UNLESS OTHERWISE NOTED AND ARE FOR REFERENCE ONLY

RMCP SLDW	THIRD ANGLE	THIS DRAWING CONTAINS CONFIDENTIAL AND PROPRIETARY INFORMATION WHICH IS THE PROPERTY OF OMNETICS CONNECTOR CORP. THIS DOCUMENT MAY NOT, IN WHOLE OR IN PART, BE DUPLICATED, OR DISCLOSED FOR ANY PURPOSE, WITHOUT WRITTEN PERMISSION FROM OMNETICS CONNECTOR CORP.		
	-TOLERANCES-			
	UNLESS OTHERWISE NOTED			
	DIMENSIONS IN INCHES			
	2 PL DEC ± .01	DFTM. WLE	DATE	TITLE:
	3 PL DEC ± .005	CHK'D.	DATE	(5) PIN MALE MICRO
	4 PL DEC ± .0005	APP'D.	DATE	TRIPLE THREAD, KEYED
	ANGLES ± 1°			CIRCULAR CONNECTOR

**OMNETICS**  
CONNECTOR CORPORATION  
7260 COMMERCE CIRCLE EAST  
MINNEAPOLIS, MN 55432  
WWW.OMNETICS.COM

CAGE CODE 61873
DWG NO. A22491-001
SHEET 1 OF 2
SCALE: 2:1
REV A