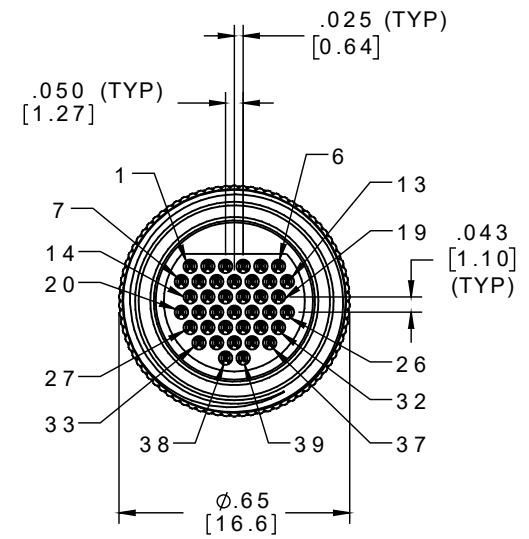
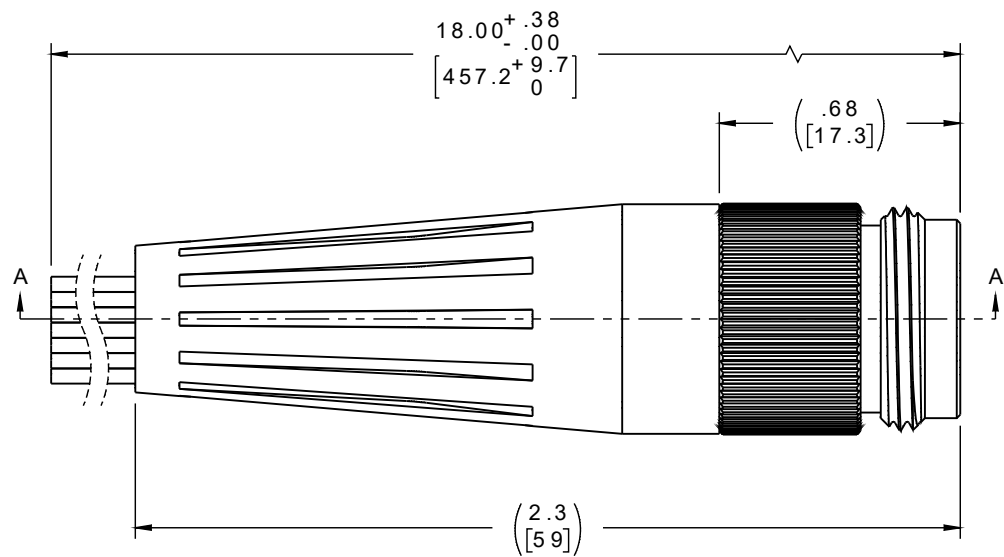
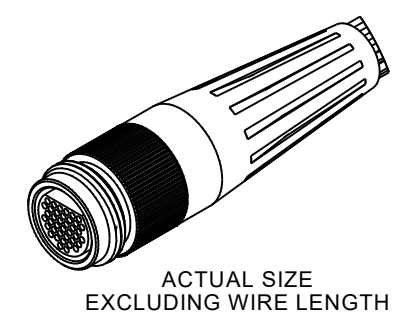
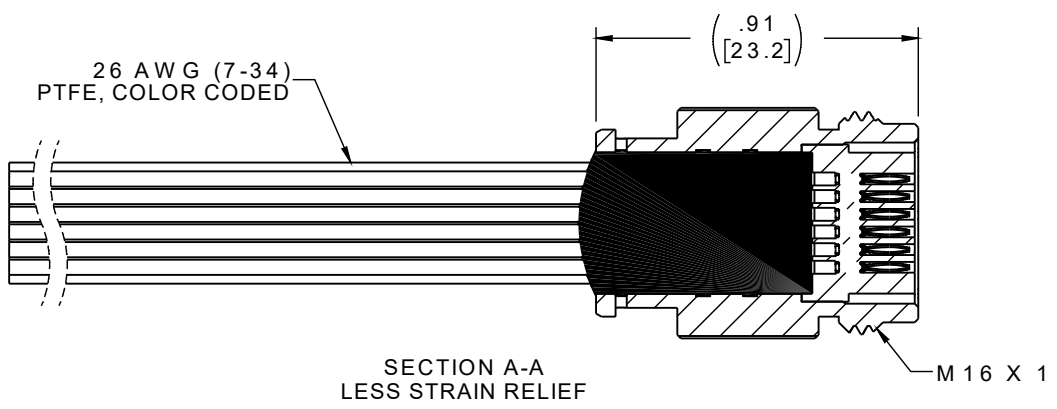


PART NO.	A22486-001	REV	ECO	DATE	APP
		A	104261	02-20-18	HV



INTERNAL USE ONLY
USE MFG LOADING
PROCEDURE MC-39P-1



NOTE:
DIMENSIONS IN [] ARE IN
MILLIMETERS UNLESS
OTHERWISE NOTED AND ARE
FOR REFERENCE ONLY

MMCP SLDW	THIRD ANGLE	THIS DRAWING CONTAINS CONFIDENTIAL AND PROPRIETARY INFORMATION WHICH IS THE PROPERTY OF OMNETICS CONNECTOR CORP. THIS DOCUMENT MAY NOT, IN WHOLE OR IN PART, BE DUPLICATED, OR DISCLOSED FOR ANY PURPOSE, WITHOUT WRITTEN PERMISSION FROM OMNETICS CONNECTOR CORP.	DATE	TITLE:
	-TOLERANCES-		DFTM. ACW	(39) PIN MALE
	UNLESS OTHERWISE NOTED		CHK'D.	CIRCULAR CONNECTOR
	DIMENSIONS IN INCHES		APP'D.	W/METAL SHELL
2 PL DEC ± .01	DATE	01-04-17		
3 PL DEC ± .005	DATE			
4 PL DEC ± .0005	DATE			
ANGLES ± 1°				

OMNETICS
CONNECTOR CORPORATION
7260 COMMERCE CIRCLE EAST
MINNEAPOLIS, MN 55432
WWW.OMNETICS.COM

CAGE CODE 61873	REV
DWG NO. A22486-001	A
SHEET 1 OF 2	
SCALE: 2:1	