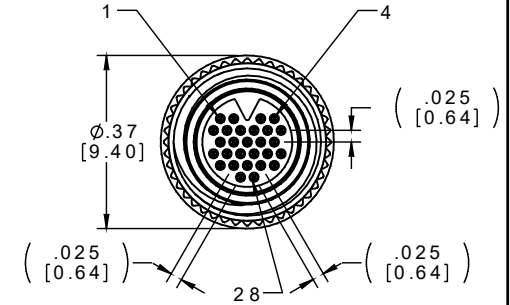
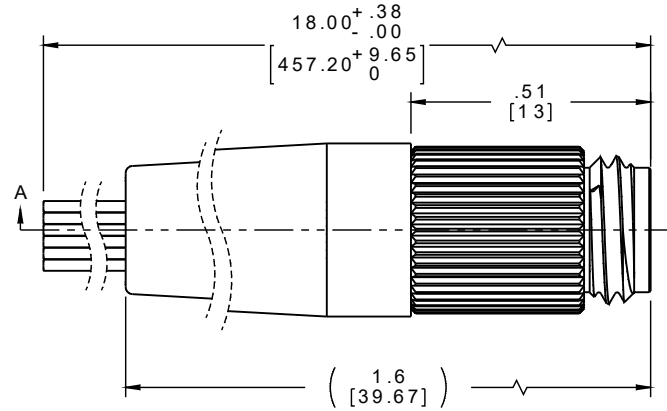


MATERIALS & FINISHES

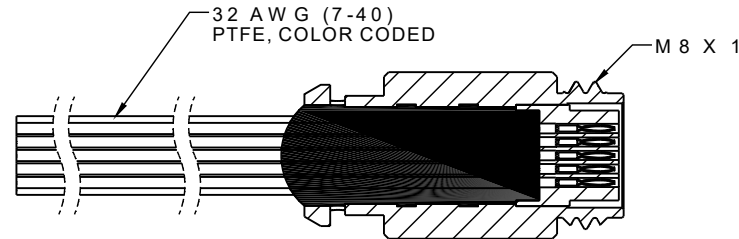
- INSULATORS
 - THERMOPLASTIC PER MIL-M-24519
- CONTACT MATERIAL
 - PINS - BERYLLIUM COPPER PER ASTM B194, ALLOY C17200
- CONTACT FINISH
 - GOLD PLATE PER ASTM B488, TYPE II (HARD GOLD), CODE C, CLASS 1.27
- WIRE - STANDARD
 - 32 AWG, 7 STRAND, TYPE ET PER NEMA HP3
- SHELLS
 - BRASS ALLOY 360
- SHELL FINISH
 - ELECTROLESS NICKEL PER SAE-AMS-2404

PART NO.	A79156-001	REV	ECO	DATE	APP
		C	99177	01-02-13	TLM



PIN #	COLOR
1, 11, 21	BLACK
2, 12, 22	BROWN
3, 13, 23	RED
4, 14, 24	ORANGE
5, 15, 25	YELLOW
6, 16, 26	GREEN
7, 17, 27	BLUE
8, 18, 28	VIOLET
9, 19	GRAY
10, 20	WHITE

INTERNAL USE ONLY
USE MFG LOADING
PROCEDURE NC-28P



SECTION A-A
LESS STRAIN RELIEF



ACTUAL SIZE
EXCLUDING WIRE
LENGTH

NOTE:

DIMENSIONS IN [] ARE IN MILLIMETERS UNLESS OTHERWISE NOTED AND ARE FOR REFERENCE ONLY

MNCPL/SLDW	THIRD ANGLE	THIS DRAWING CONTAINS CONFIDENTIAL AND PROPRIETARY INFORMATION WHICH IS THE PROPERTY OF OMNETICS CONNECTOR CORP. THIS DOCUMENT MAY NOT, IN WHOLE OR IN PART, BE DUPLICATED, OR DISCLOSED FOR ANY PURPOSE, WITHOUT WRITTEN PERMISSION FROM OMNETICS CONNECTOR CORP.	CAGE CODE 61873		
	-TOLERANCES-		DWG NO. A79156-001		
	DIMENSIONS IN INCHES		DFTM. JPF	DATE 03-26-09	TITLE: (28) PIN MALE CIRCULAR CONNECTOR W/METAL SHELL
	2 PL DEC ± .01 3 PL DEC ± .005 4 PL DEC ± .0005 ANGLES ± 1°		CHK'D.	DATE	OMNETICS CONNECTOR CORPORATION 7260 COMMERCE CIRCLE EAST MINNEAPOLIS, MN 55432 WWW.OMNETICS.COM
	APP'D.	DATE	SHEET 1 OF 1	REV C	
			SCALE: 3:1		