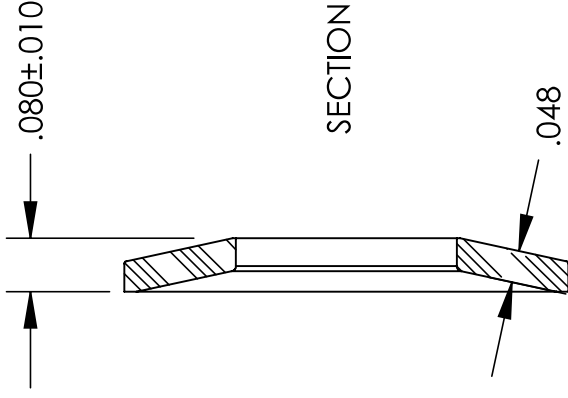
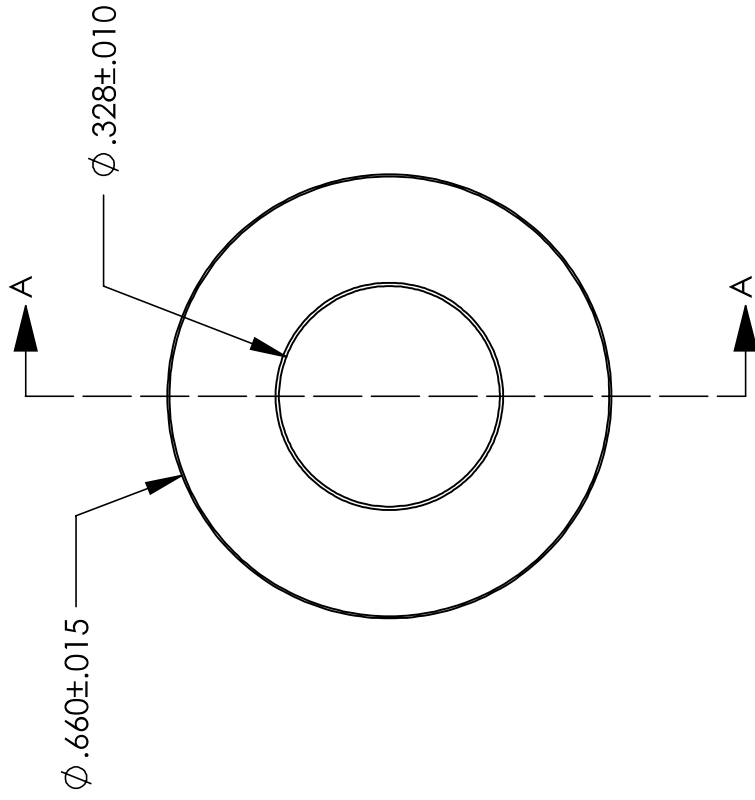


UNCONTROLLED DOCUMENT



NOTES:
FITS 5/16 AND M8 SCREWS.
O.D. WHEN COMPRESSED IS $\phi .680$ MAX REF.

TOLERANCES UNLESS NOTED

- $\pm .005$ ON DIMENSIONS THRU $.625$
- $\pm .008$ ON DIMENSIONS $.626$ THRU 1.000
- $\pm .010$ ON DIMENSIONS 1.001 THRU 1.500
- $\pm .015$ ON DIMENSIONS LARGER THAN 1.500
- $\pm .015$ ON FRACTIONAL DIMENSIONS

WE RESERVE THE RIGHT
TO DISCONTINUE ITEMS,
CHANGE SPECIFICATIONS
OR DESIGN AT ANY TIME
WITHOUT NOTICE AND
WITHOUT INCURRING
ANY OBLIGATIONS

PROPERTY OF

MICRO PLASTICS INC.

CATALOG DRAWING
SPRING WASHER
MICRO P/N 17SPRINGW500
DWG. # 17SPRINGW500
FILE SERVER\ENG\WEB

MATERIAL: ACETAL

DATE

SCALE

3.5:1

TA