



American Hakko Products, Inc.

# PRODUCT BULLETIN

**Bulletin No:** PB467

**Issue Date:** 7-11-2023

**Effective Date:** 8-1-2023

**Description/Title:**

New HAKKO FX-9706 Micro Tweezers

**Part No:**

FX9706-81, FX9706-011, T52-I005, T52-I015, T52-J005, T52-J015, T52-K, T52-L1, T52-L2



**Comments:**

The new HAKKO FX-9706 Micro Tweezers are designed for use with the new HAKKO FX-972 Dual-Port Soldering Station. The FX-9706 features a lightweight, ergonomic design ideal for working under a microscope or other magnification, such as reworking 0201 or 01005 components. The new handpiece incorporates tip adjustment mechanisms that allow the user to adjust horizontal and vertical alignment and the length and angle of the tips. The handpiece also features a slimmer cord assembly to reduce the weight felt by the user, a built-in sensor to detect when the micro tweezers are in use or should be put to sleep, and newly designed T52 Series tips with higher power output and optimized geometries to achieve peak performance of the HAKKO Composite Ceramic™ heater at its heart. The HAKKO FH-215 Holder eliminates the need to use tools or hot pads when changing tips, incorporates a built-in tip stand, and has a triple-function tip cleaning area with a cleaning wire, sponge, and tip wipe.

**Specification:**

<b>Model</b>	FX-9706
<b>Part No.</b>	FX9706-011
<b>Power Consumption</b>	140 W / 24 VAC
<b>Temperature Range</b>	50°C – 450°C (120°F – 850°F)
<b>Tip to Ground Resistance</b>	< 2 Ω
<b>Tip to Ground Potential</b>	< 2 mV
<b>Heater</b>	HAKKO Composite Ceramic™
<b>Tips<sup>1</sup></b>	T52 Series
<b>Cord Length</b>	1.2 m (3.9 ft)
<b>Total Length<sup>2</sup></b>	130 mm (5.1 in)
<b>Weight<sup>2</sup></b>	33 g (1.2 oz)

**Contents**

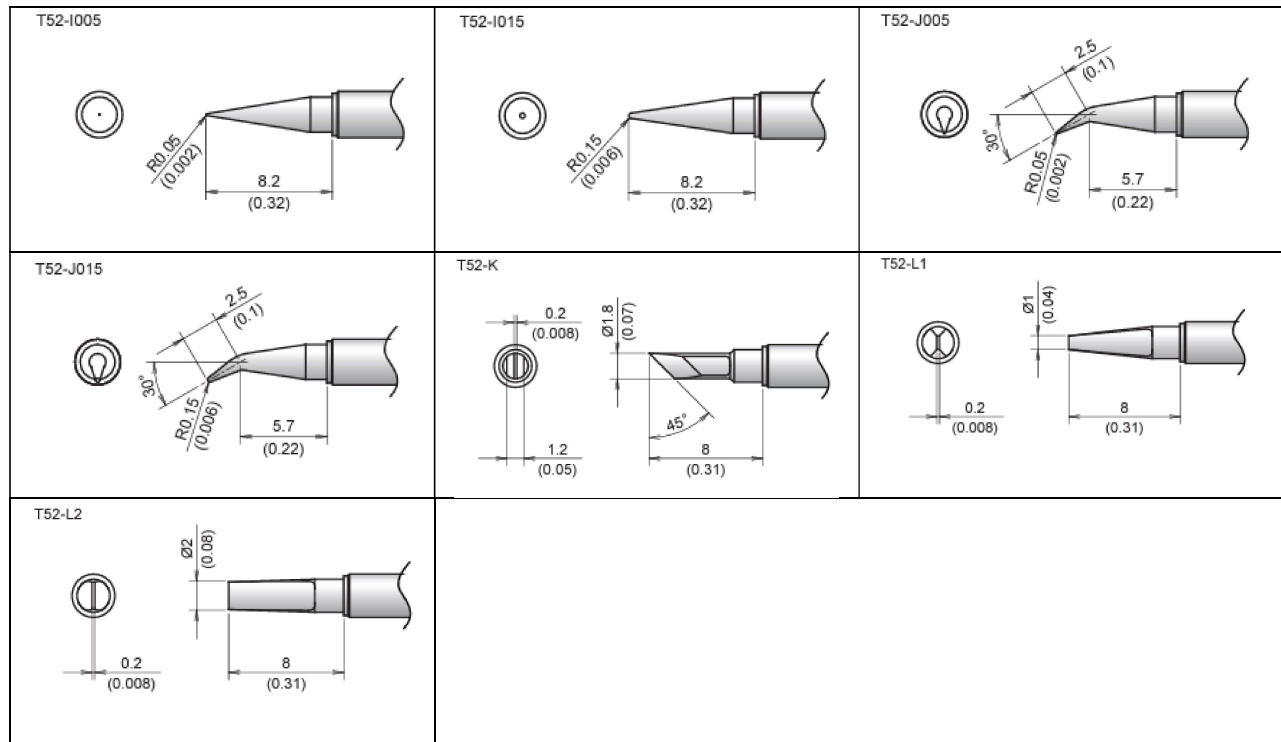
Part No.	Description
<b>FX9706-81</b>	FX-9706 Micro Tweezers only
<b>FH215-014</b>	FH-215 Holder Includes: • A1561 Tip Cleaning Wire • A5038 Cleaning Sponge

<sup>1</sup> – Tips not included

<sup>2</sup> – As measured with T52-I015 Tip installed

See page 2 for T52 Series Tips

**T52 Series Tips**



For more information, please visit [www.HakkoUSA.com](http://www.HakkoUSA.com) or call 1-800-88-HAKKO (42556).