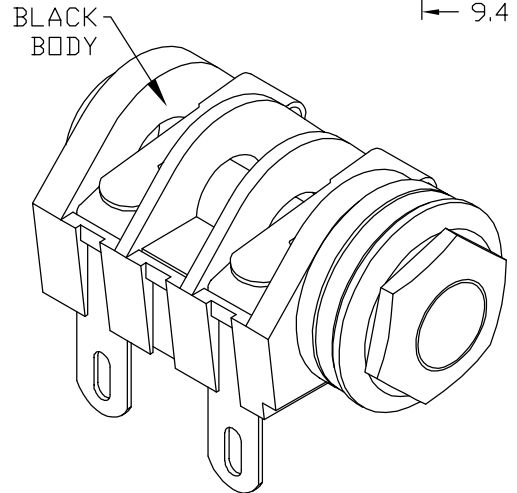
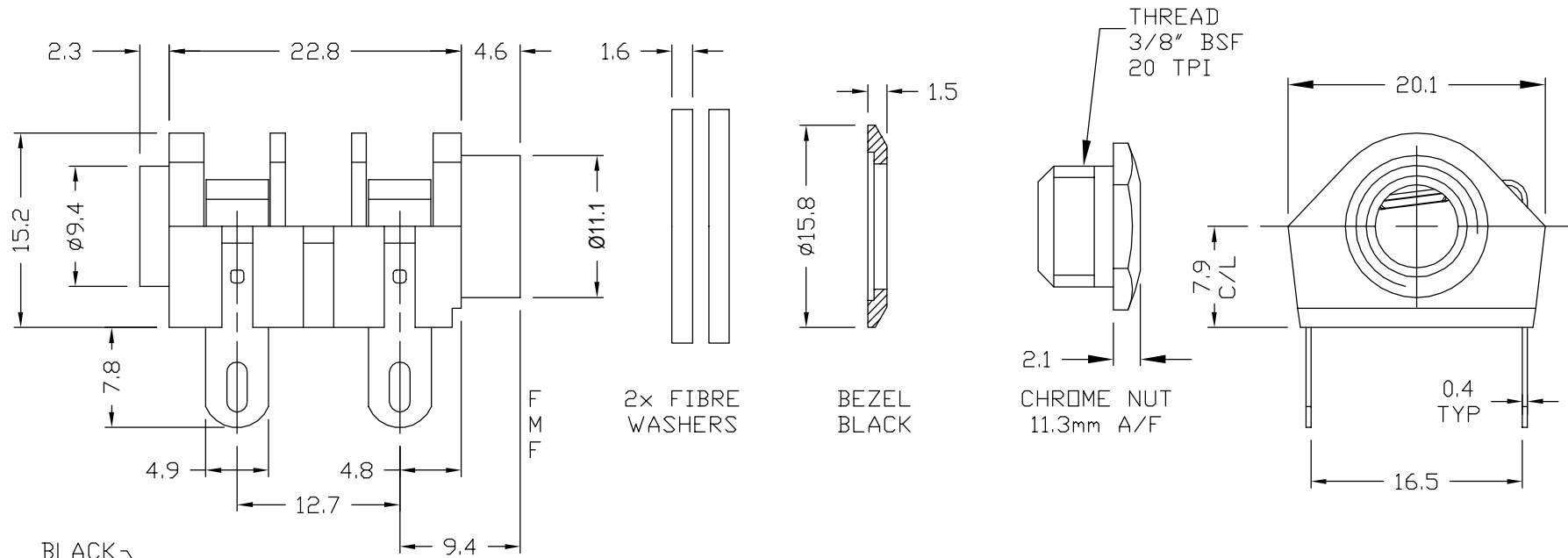


ISS.	AMEND	DATE
1	1st DRAWN	12/02/16

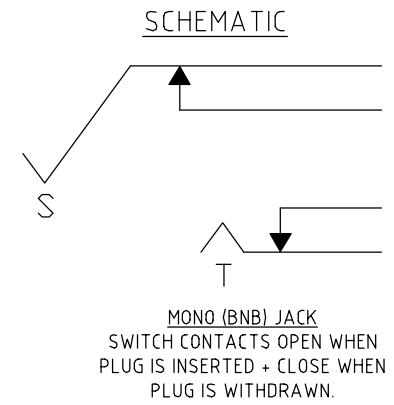


SPECIFICATION

Withstand voltage: 2000V DC Min.
 Maximum Current: 5A
 Temperature Rating: -10° C to +70° C
 Life (Minimum): 10,000+ Operations
 Nominal Contact Resistance: <50mΩ

NOTES

- 1) MAXIMUM PANEL THICKNESS 4.3mm.
- 2) SUPPLIED WITH NUT, BEZEL & WASHERS ASSEMBLED.



RoHS COMPLIANT
TOLERANCE
NO DEC. PLACE ±
1 DEC. PLACE ±
2 DEC. PLACE ±
HOLE Ø ±
ANGLES ±
UNLESS OTHERWISE STATED
DO NOT SCALE

Cliff Electronic Components Ltd.
 76 Holmehorpe Avenue, Holmehorpe Industrial Estate,
 Redhill, Surrey, RH1 2PF, England, UK
 Tel: 01737-771375 Fax: 01737-766012 Website: www.cliffuk.co.uk

DIMENSIONS IN MILLIMETERS UNLESS OTHERWISE STATED. WORK TO DIMENSIONS. REMOVE ALL BURRS. IF IN DOUBT ASK.		3rd ANGLE PROJECTION:	FORM: A4DRWGH
MATERIAL: NYLON / NiAg / FIBRE / PP		TITLE: S4/BNB SOLDER TAG - ASSEMBLED	
FINISH: AS MOULDED / MICROFINISH		DRWG. No. CL1298A	
DRAWN: T.J.O.	APPROVED: D.P.J.		