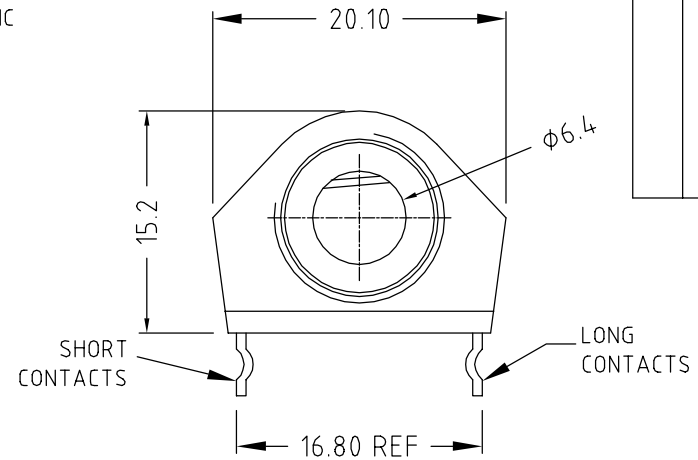
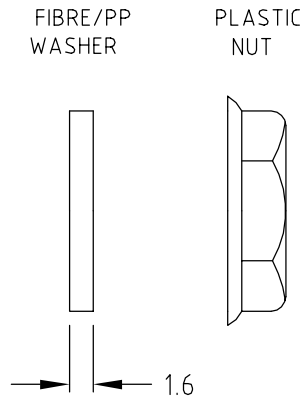
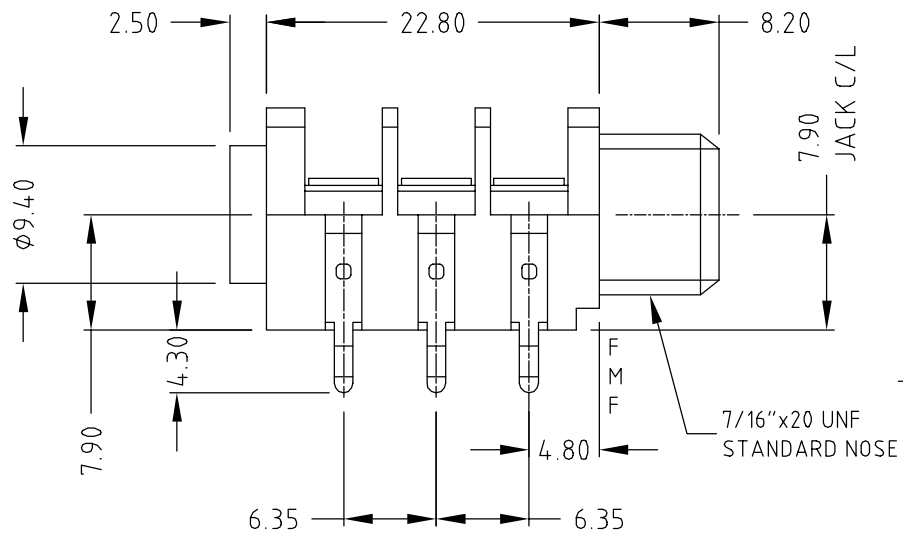


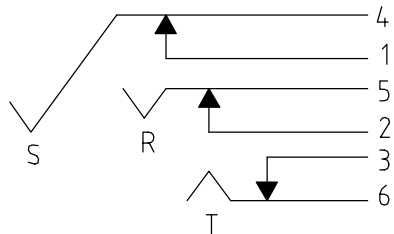
ISS.	AMEND	DATE
1	ISSUED	05/10/2016



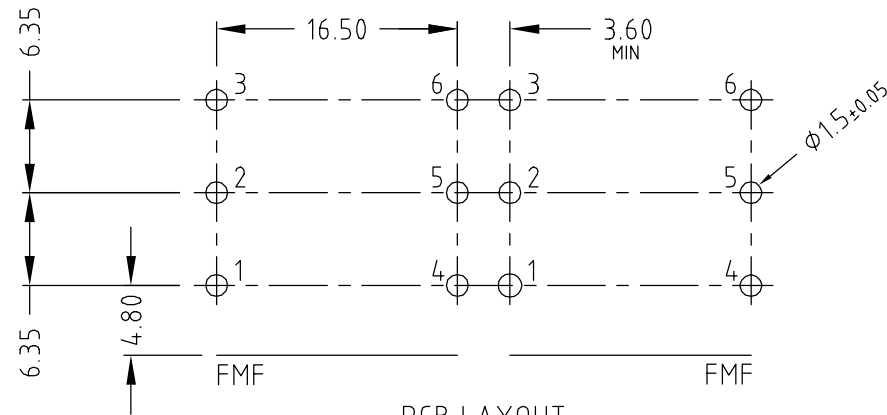
NOTES:-

- 1) NUT & WASHER SUPPLIED ASSEMBLED.
- 2) MAXIMUM PANEL THICKNESS: 4.6mm.

SCHEMATIC



STEREO (BBB) JACK
 SWITCH CONTACTS OPEN WHEN
 PLUG IS INSERTED + CLOSE
 WHEN PLUG IS WITHDRAWN.



PCB LAYOUT
 VIEWED FROM COMPONENT (TOP) SIDE

RoHS
 COMPLIANT

TOLERANCE
 NO DEC. PLACE ±
 1 DEC. PLACE ±
 2 DEC. PLACE ±
 HOLE Ø ±
 ANGLES ±
 UNLESS
 OTHERWISE STATED

DO NOT SCALE

Cliff Electronic Components Ltd.

76 Holmethorpe Avenue, Holmethorpe Industrial Estate,
 Redhill, Surrey, RH1 2PF, England, UK
 Tel: 01737-771375 Fax: 01737-766012 Website: www.cliffuk.co.uk

DIMENSIONS IN MILLIMETERS UNLESS OTHERWISE STATED. WORK TO DIMENSIONS. REMOVE ALL BURRS. IF IN DOUBT ASK.

ANGLE PROJECTION:

MATERIAL: NYLON / NIAG / FIBRE / PP

TITLE: S2/BBB/PC-C/KINK/WWN ASSEMBLED

FINISH: AS MOULDED / MICROFINISH

THE CONTENTS OF THIS DOCUMENT MUST NOT BE COPIED OR DISCLOSED
 TO A 3rd PARTY WITHOUT WRITTEN PERMISSION OF CLIFF UK. © 2016

DRAWN: NJB

APPROVED: DPJ

DRWG. No. **CL 12391A**

FORM: A4DRWGH