

MATERIALS

HOUSING:

ALUMINUM 6061, NICKEL PLATE (500 MICRINCHES MINIMUM) PER SAE-AMS-2404

INSULATOR:

LIQUID CRYSTAL POLYMER (LCP) PER ASTM D5138

CONTACT:

COPPER ALLOY PER MIL-DTL-83513, GOLD PLATED PER ASTM B488, (HARD GOLD) TYPE II, CODE C, CLASS 1.27

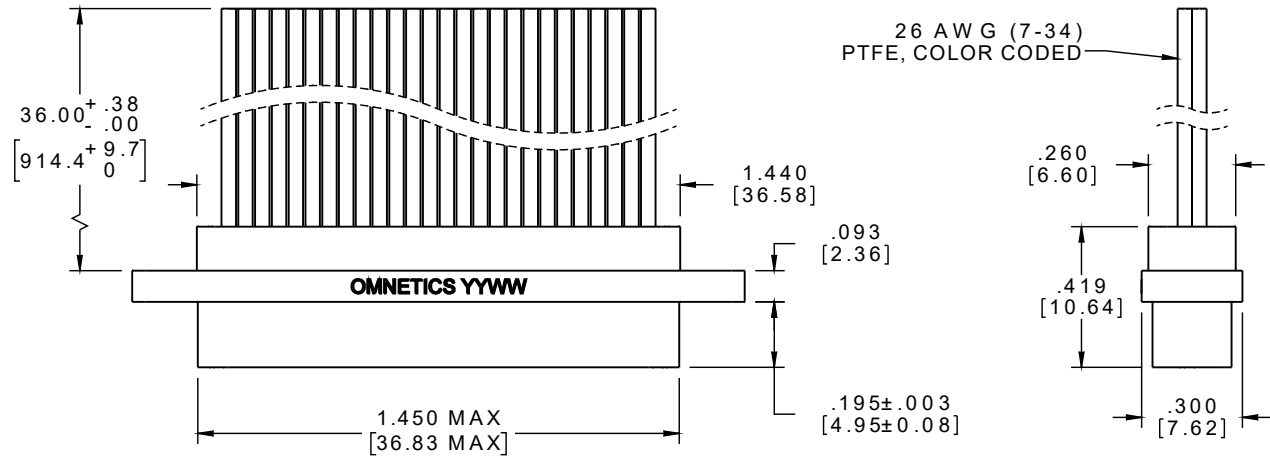
WIRE:

NEMA HP3 TYPE E, COLOR CODED IAW MIL-STD-681, SYSTEM 1, USING TEN SOLID REPEATING COLORS

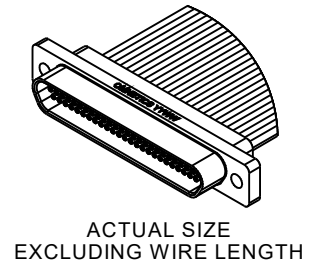
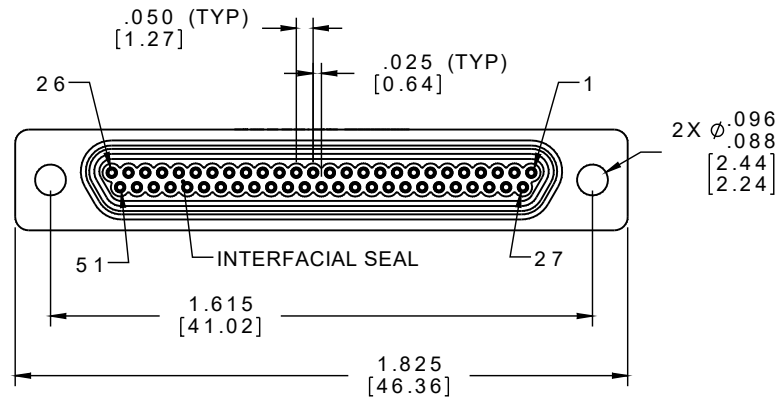
INTERFACIAL SEAL:

SILICONE RUBBER PER A-A-59588

| | | | | | |
|----------|------------|-----|-----|------|-----|
| PART NO. | A99015-512 | REV | ECO | DATE | APP |
| | | 1 | | | |



| SOCKET # | COLOR |
|-----------------------|--------|
| 1, 11, 21, 31, 41, 51 | BLACK |
| 2, 12, 22, 32, 42 | BROWN |
| 3, 13, 23, 33, 43 | RED |
| 4, 14, 24, 34, 44 | ORANGE |
| 5, 15, 25, 35, 45 | YELLOW |
| 6, 16, 26, 36, 46 | GREEN |
| 7, 17, 27, 37, 47 | BLUE |
| 8, 18, 28, 38, 48 | VIOLET |
| 9, 19, 29, 39, 49 | GRAY |
| 10, 20, 30, 40, 50 | WHITE |



INTERNAL USE ONLY
USE MFG LOADING
PROCEDURE MMDS-512

RoHS

NOTES:

1. DIMENSIONS IN [] ARE IN MILLIMETERS UNLESS OTHERWISE NOTED AND ARE FOR REFERENCE ONLY

| | | | | | |
|---------------|--|--|---|-----------------|---------------------|
| MINDS S/DW | THIRD ANGLE | THIS DRAWING CONTAINS CONFIDENTIAL AND PROPRIETARY INFORMATION WHICH IS THE PROPERTY OF OMNETICS CONNECTOR CORP. THIS DOCUMENT MAY NOT, IN WHOLE OR IN PART, BE DUPLICATED, OR DISCLOSED FOR ANY PURPOSE, WITHOUT WRITTEN PERMISSION FROM OMNETICS CONNECTOR CORP. | OMNETICS CONNECTOR CORPORATION 8840 EVERGREEN BLVD. MINNEAPOLIS, MN 55433 WWW.OMNETICS.COM | DWG NO. | CAGE CODE 61873 |
| | -TOLERANCES- UNLESS OTHERWISE NOTED DIMENSIONS IN INCHES | | | A99015-512 | |
| | 2 PL DEC ± .01 3 PL DEC ± .005 4 PL DEC ± .0005 ANGLES ± 1° | TITLE: (51) SOCKET FEMALE MICRO-D CONNECTOR | | SHEET 1 OF 1 | SCALE: 2:1 REV 1 |
| | | DFTM. DWP DATE 05-24-23 | | | |