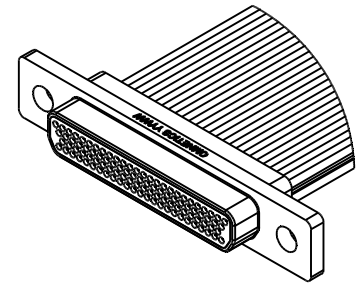
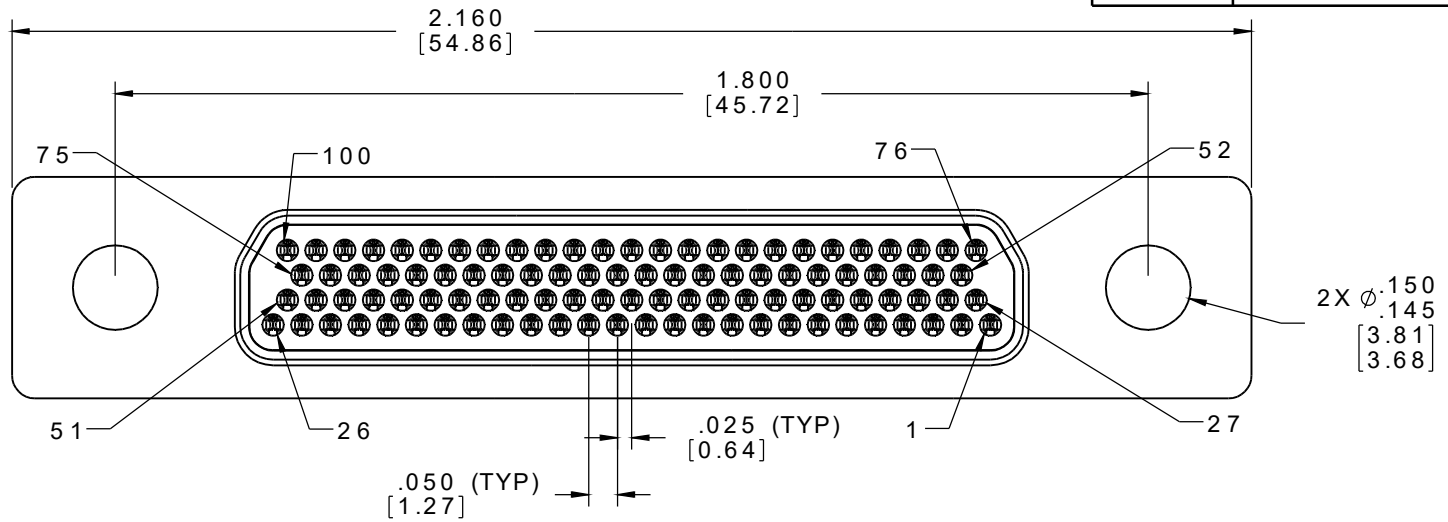
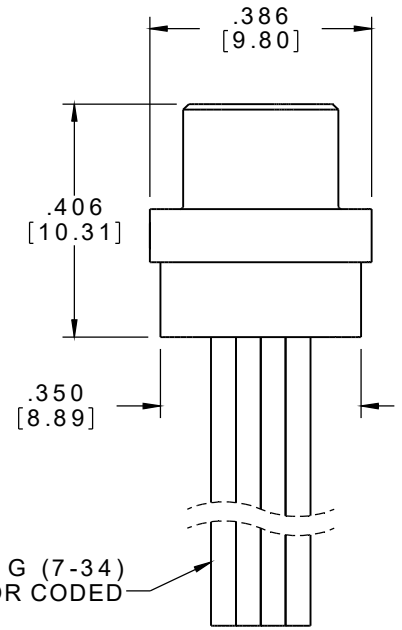
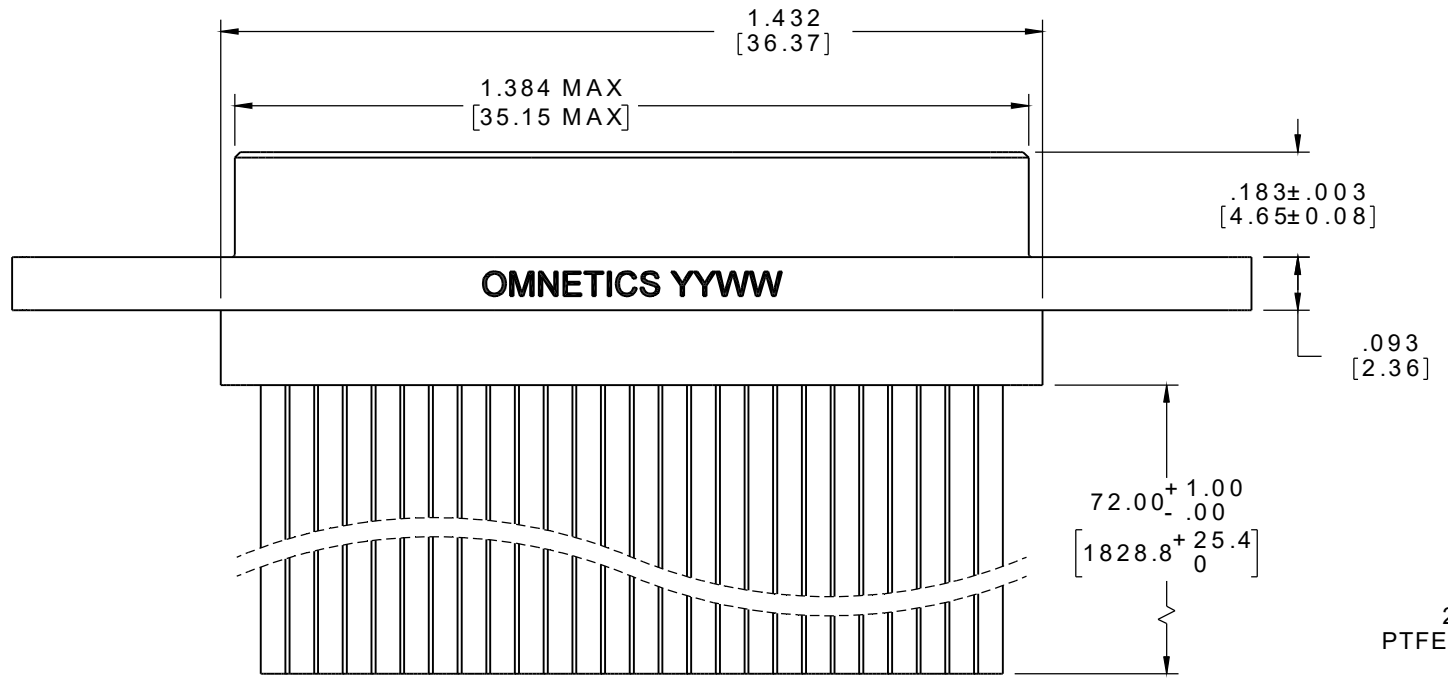


PART NO.	A98407-100	REV	ECO	DATE	APP
		1			



ACTUAL SIZE EXCLUDING WIRE LENGTH



RoHS

NOTES:
 1. DIMENSIONS IN [] ARE IN MILLIMETERS UNLESS OTHERWISE NOTED AND ARE FOR REFERENCE ONLY

MMDP SIDW	THIRD ANGLE
	-TOLERANCES- UNLESS OTHERWISE NOTED
	DIMENSIONS IN INCHES
	2 PL DEC ± .01 3 PL DEC ± .005 4 PL DEC ± .0005 ANGLES ± 1°

THIS DRAWING CONTAINS CONFIDENTIAL AND PROPRIETARY INFORMATION WHICH IS THE PROPERTY OF OMNETICS CONNECTOR CORP. THIS DOCUMENT MAY NOT, IN WHOLE OR IN PART, BE DUPLICATED, OR DISCLOSED FOR ANY PURPOSE, WITHOUT WRITTEN PERMISSION FROM OMNETICS CONNECTOR CORP.	
TITLE:	(100) PIN MALE MICRO-D CONNECTOR W/MTG HOLES
DFTM. DWP	
DATE	05-25-23

OMNETICS
 CONNECTOR CORPORATION
 8840 EVERGREEN BLVD.
 MINNEAPOLIS, MN 55433
 WWW.OMNETICS.COM

DWG NO.	CAGE CODE 61873
A98407-100	
SHEET 1 OF 2	SCALE: 3:1
	REV 1

MATERIALS

PART NO.	A98407-100	REV	ECO	DATE	APP
		1			

HOUSING:
ALUMINUM 6061, NICKEL PLATE (500 MICROINCHES MINIMUM) PER SAE-AMS-2404

INSULATOR:
LIQUID CRYSTAL POLYMER (LCP) PER ASTM D5138

CONTACT:
BERYLLIUM COPPER PER ASTM B194, C17200, GOLD PLATED PER ASTM B488, (HARD GOLD) TYPE II, CODE C, CLASS 1.27

WIRE:
NEMA HP3 TYPE E, COLOR CODED IAW MIL-STD-681, SYSTEM 1, USING TEN SOLID REPEATING COLORS

PIN #	COLOR
1, 11, 21, 31, 41, 51, 61, 71, 81, 91	BLACK
2, 12, 22, 32, 42, 52, 62, 72, 82, 92	BROWN
3, 13, 23, 33, 43, 53, 63, 73, 83, 93	RED
4, 14, 24, 34, 44, 54, 64, 74, 84, 94	ORANGE
5, 15, 25, 35, 45, 55, 65, 75, 85, 95	YELLOW
6, 16, 26, 36, 46, 56, 66, 76, 86, 96	GREEN
7, 17, 27, 37, 47, 57, 67, 77, 87, 97	BLUE
8, 18, 28, 38, 48, 58, 68, 78, 88, 98	VIOLET
9, 19, 29, 39, 49, 59, 69, 79, 89, 99	GRAY
10, 20, 30, 40, 50, 60, 70, 80, 90, 100	WHITE

INTERNAL USE ONLY
USE MFG LOADING
PROCEDURE MMDP-100

RoHS

MMDP SLDW	THIRD ANGLE	THIS DRAWING CONTAINS CONFIDENTIAL AND PROPRIETARY INFORMATION WHICH IS THE PROPERTY OF OMNETICS CONNECTOR CORP. THIS DOCUMENT MAY NOT, IN WHOLE OR IN PART, BE DUPLICATED, OR DISCLOSED FOR ANY PURPOSE, WITHOUT WRITTEN PERMISSION FROM OMNETICS CONNECTOR CORP.	OMNETICS CONNECTOR CORPORATION 8840 EVERGREEN BLVD. MINNEAPOLIS, MN 55433 WWW.OMNETICS.COM	DWG NO.	CAGE CODE 61873		
	-TOLERANCES- UNLESS OTHERWISE NOTED DIMENSIONS IN INCHES			A98407-100			
	2 PL DEC ± .01 3 PL DEC ± .005 4 PL DEC ± .0005 ANGLES ± 1°			TITLE:	SHEET	SCALE: 3:1	REV 1
	DFTM. DWP DATE 05-25-23			(100) PIN MALE MICRO-D CONNECTOR W/MTG HOLES	2 OF 2		