

MATERIALS

HOUSING:

ALUMINUM 6061-T6, NICKEL PLATE (500 MICROINCHES MINIMUM) PER SAE-AMS-2404

INSULATOR:

LIQUID CRYSTAL POLYMER (LCP) PER ASTM D5138

CONTACT:

BERYLLIUM COPPER PER ASTM B194, C17200, GOLD PLATED PER ASTM B488, (HARD GOLD) TYPE II CODE C, CLASS 1.27

WIRE:

NEMA HP3 TYPE E, COLOR CODED IAW MIL-STD-681, SYSTEM 1, USING TEN SOLID REPEATING COLORS

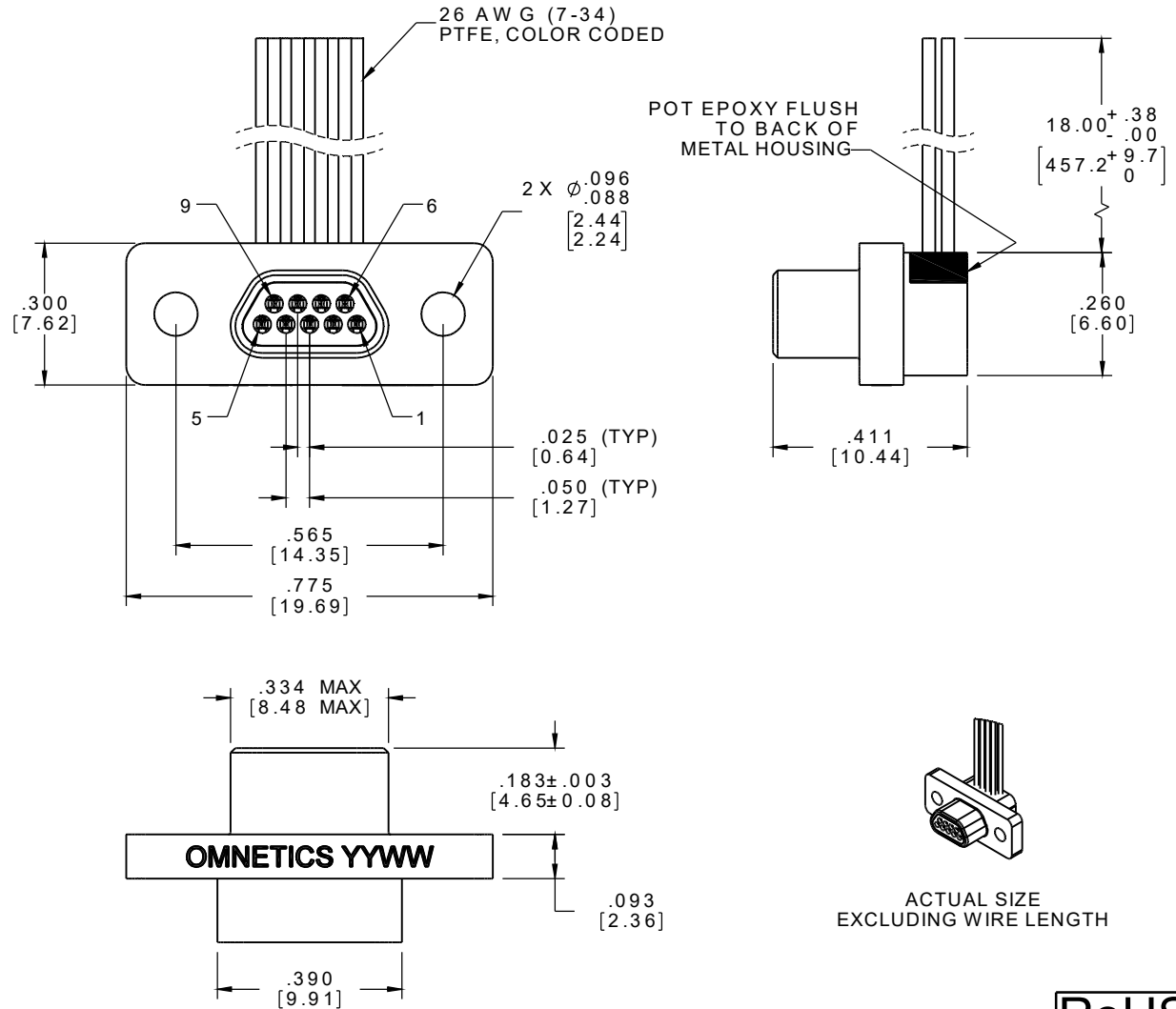
HARDWARE:

AVAILABLE UPON REQUEST

PIN #	COLOR
1	BLACK
2	BROWN
3	RED
4	ORANGE
5	YELLOW
6	GREEN
7	BLUE
8	VIOLET
9	GRAY

INTERNAL USE ONLY
USE MFG LOADING
PROCEDURE MMDP-009

PART NO.	A98202-009	REV	ECO	DATE	APP
		A	103557	06-20-17	TLM



ACTUAL SIZE
EXCLUDING WIRE LENGTH

RoHS

NOTE:

DIMENSIONS IN [] ARE IN MILLIMETERS UNLESS OTHERWISE NOTED AND ARE FOR REFERENCE ONLY

MMDP SLDW	THIRD ANGLE	THIS DRAWING CONTAINS CONFIDENTIAL AND PROPRIETARY INFORMATION WHICH IS THE PROPERTY OF OMNETICS CONNECTOR CORP. THIS DOCUMENT MAY NOT, IN WHOLE OR IN PART, BE DUPLICATED, OR DISCLOSED FOR ANY PURPOSE, WITHOUT WRITTEN PERMISSION FROM OMNETICS CONNECTOR CORP.	
	-TOLERANCES-	DFTM. ERB	DATE 01-06-17
	UNLESS OTHERWISE NOTED	CHK'D.	DATE
	DIMENSIONS IN INCHES	APP'D.	DATE
	2 PL DEC ± .01	TITLE: (9) PIN MALE MICRO-D CONNECTOR	
	3 PL DEC ± .005		
	4 PL DEC ± .0005		
	ANGLES ± 1°		

OMNETICS
CONNECTOR CORPORATION
7260 COMMERCE CIRCLE EAST
MINNEAPOLIS, MN 55432
WWW.OMNETICS.COM

CAGE CODE 61873	
DWG NO. A98202-009	
SHEET 1 OF 1	REV A
SCALE: 3:1	