

MATERIALS

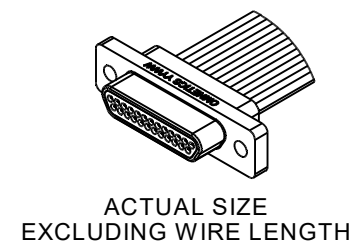
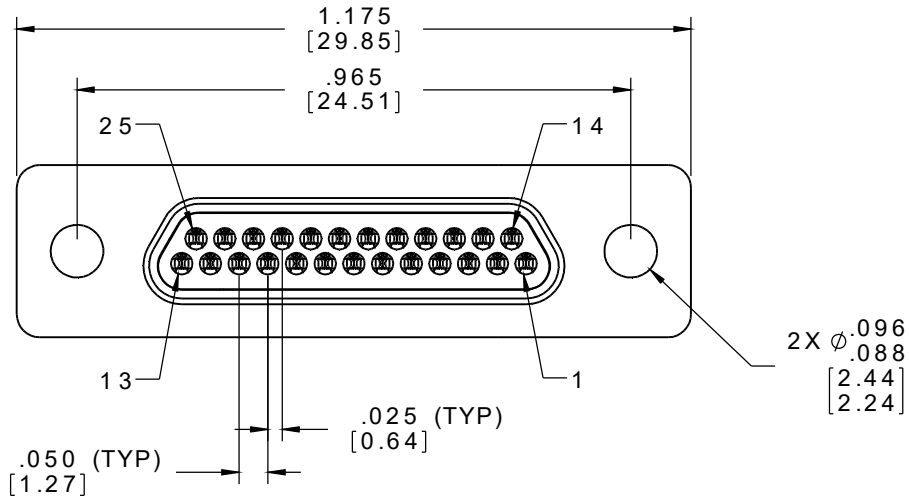
HOUSING:
ALUMINUM 6061-T6, NICKEL
PLATE PER SAE-AMS-2404

INSULATOR:
LIQUID CRYSTAL POLYMER
(LCP) PER ASTM D5138

CONTACT:
BERYLLIUM COPPER PER
ASTM B194, C17200, GOLD
PLATED PER ASTM B488,
(HARD GOLD) TYPE II CODE
C, CLASS 1.27

WIRE:
NEMA HP3 TYPE E, COLOR
CODED IAW MIL-STD-681,
SYSTEM 1, USING TEN
SOLID REPEATING COLORS

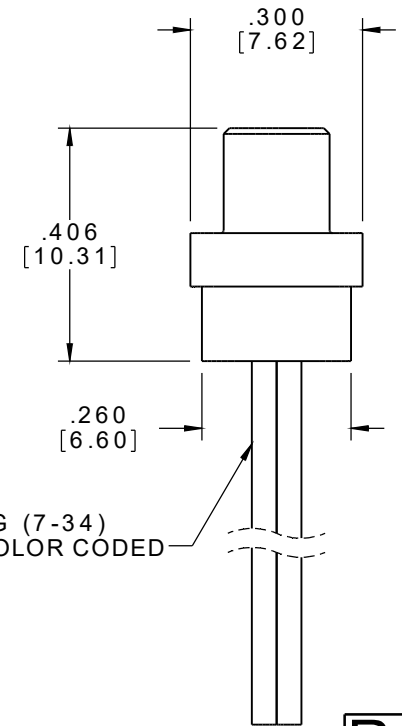
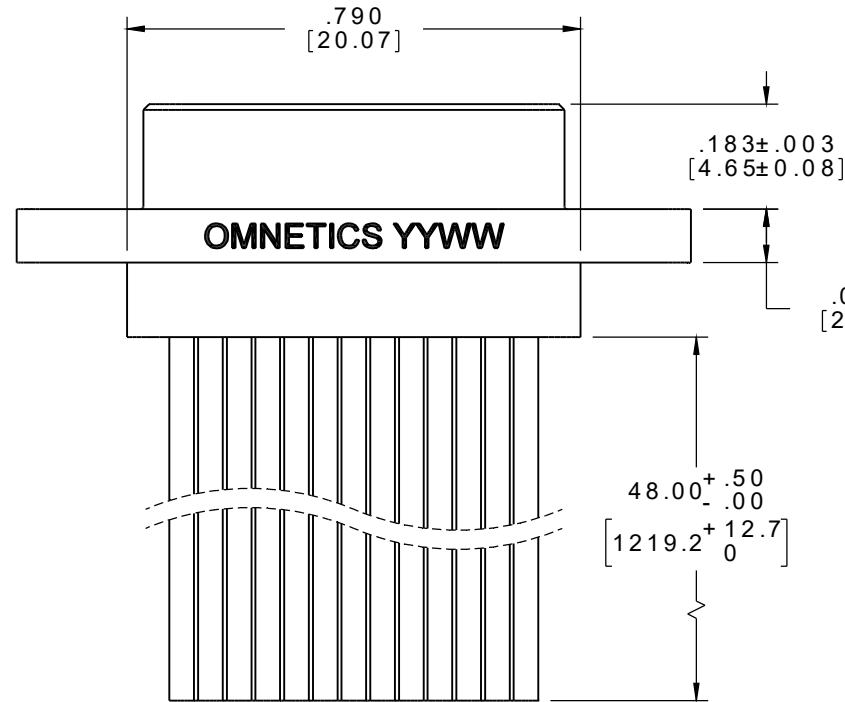
PART NO.	A98008-025	REV	ECO	DATE	APP
		A	103184	01-24-17	TLM



2X ϕ .096
.088
[2.44]
[2.24]

PIN #	COLOR
1, 11, 21	BLACK
2, 12, 22	BROWN
3, 13, 23	RED
4, 14, 24	ORANGE
5, 15, 25	YELLOW
6, 16	GREEN
7, 17	BLUE
8, 18	VIOLET
9, 19	GRAY
10, 20	WHITE

INTERNAL USE ONLY
USE MFG LOADING
PROCEDURE MMDP-025



RoHS

NOTE:

DIMENSIONS IN [] ARE IN
MILLIMETERS UNLESS
OTHERWISE NOTED AND ARE
FOR REFERENCE ONLY

MMDP SLDW	THIRD ANGLE ϕ \oplus	THIS DRAWING CONTAINS CONFIDENTIAL AND PROPRIETARY INFORMATION WHICH IS THE PROPERTY OF OMNETICS CONNECTOR CORP. THIS DOCUMENT MAY NOT, IN WHOLE OR IN PART, BE DUPLICATED, OR DISCLOSED FOR ANY PURPOSE, WITHOUT WRITTEN PERMISSION FROM OMNETICS CONNECTOR CORP.		OMNETICS	CAGE CODE 61873	
	-TOLERANCES- UNLESS OTHERWISE NOTED DIMENSIONS IN INCHES	DFTM. DGJ	DATE 11-01-11		TITLE: (25) PIN MALE MICRO-D CONNECTOR W/MITG HOLES	DWG NO. A98008-025
	2 PL DEC ± .01	CHK'D.	DATE		7260 COMMERCE CIRCLE EAST MINNEAPOLIS, MN 55432 WWW.OMNETICS.COM	SHEET 1 OF 1
	3 PL DEC ± .005 4 PL DEC ± .0005 ANGLES ± 1°	APP'D.	DATE			REV A

SCALE: 3:1