

MATERIALS & SPECIFICATIONS

INSULATORS

THERMOPLASTIC PER ASTM D5138

CONTACT MATERIAL

PINS - BERYLLIUM COPPER PER ASTM B194, ALLOY C17200

SOCKET - COPPER ALLOY PER MIL-DTL-32139

CONTACT FINISH

GOLD PLATE PER ASTM B488, TYPE II (HARD GOLD), CODE C, CLASS 1.27

TERMINATION FINISH

SOLDER COATED WITH SN63 PER J-STD-006 OR SN60 PER AMS-P-81728

CURRENT RATING

1 AMP PER MIL-DTL-32139

CONTACT RESISTANCE

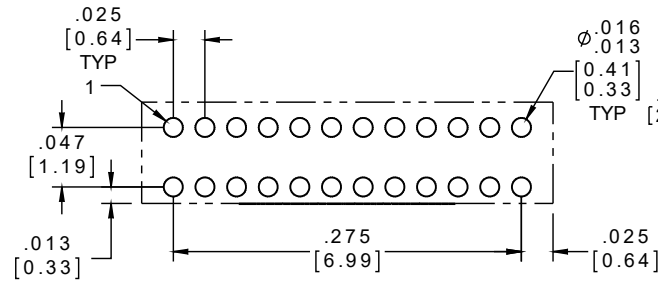
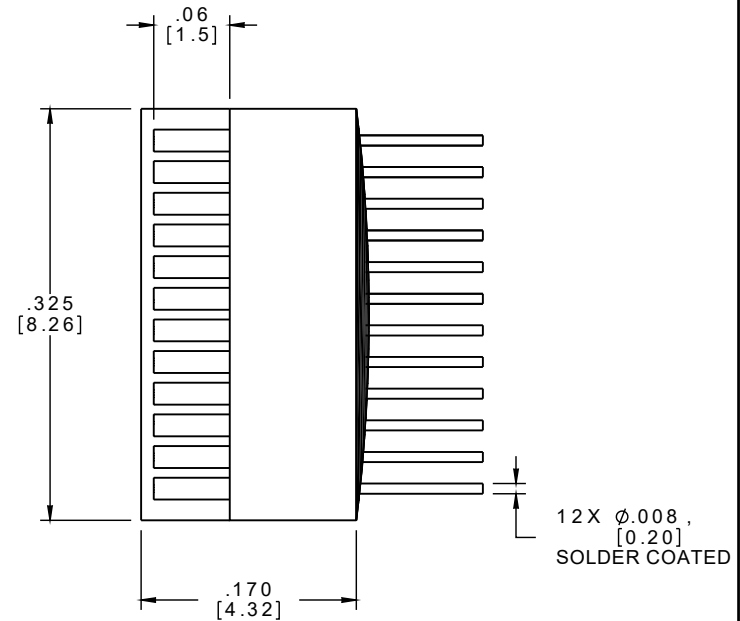
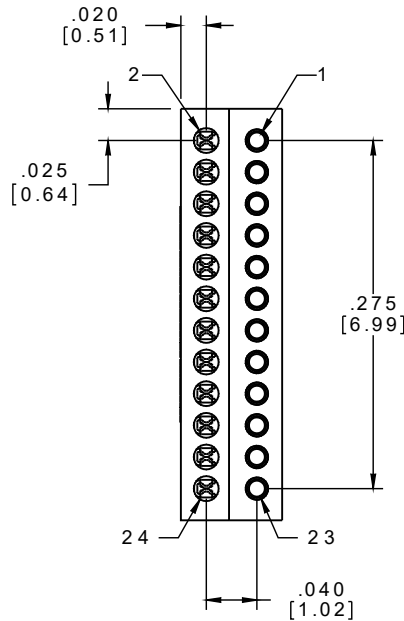
71 MILLIOHM MAX (71mV DROP MAX) @ 1.0 AMPS PER MIL-DTL-32139

PERFORMANCE

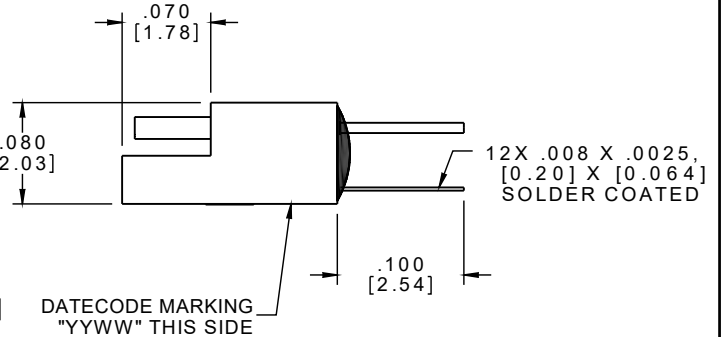
PRODUCT FAMILY TESTED TO AND PASSED THE PERFORMANCE SPECIFICATIONS OF TABLE VIII OF MIL-DTL-32139



ACTUAL SIZE



SUGGESTED PAD LAYOUT



NOTE:

DIMENSIONS IN [] ARE IN MILLIMETERS UNLESS OTHERWISE NOTED AND ARE FOR REFERENCE ONLY

P/NZ SLOW	THIRD ANGLE		THIS DRAWING CONTAINS CONFIDENTIAL AND PROPRIETARY INFORMATION WHICH IS THE PROPERTY OF OMNETICS CONNECTOR CORP. THIS DOCUMENT MAY NOT, IN WHOLE OR IN PART, BE DUPLICATED, OR DISCLOSED FOR ANY PURPOSE, WITHOUT WRITTEN PERMISSION FROM OMNETICS CONNECTOR CORP.	
	-TOLERANCES-		DFTM. MJM	DATE 04-12-13
	UNLESS OTHERWISE NOTED		CHK'D.	DATE
	DIMENSIONS IN INCHES		APP'D.	DATE
2 P L D E C ± .01		TITLE: (24) CONTACT POLARIZED		
3 P L D E C ± .005		MALE/FEMALE		
4 P L D E C ± .0005		NANO CONNECTOR		
ANGLES ± 1°				

OMNETICS CONNECTOR CORPORATION 7260 COMMERCE CIRCLE EAST MINNEAPOLIS, MN 55432 WWW.OMNETICS.COM	CAGE CODE 61873
	DWG NO. A79654-001
	SHEET 1 OF 1
	SCALE: 8:1
REV B	

PART NO.	A79654-001	REV	ECO	DATE	APP
		B	101562	05-08-15	TLM