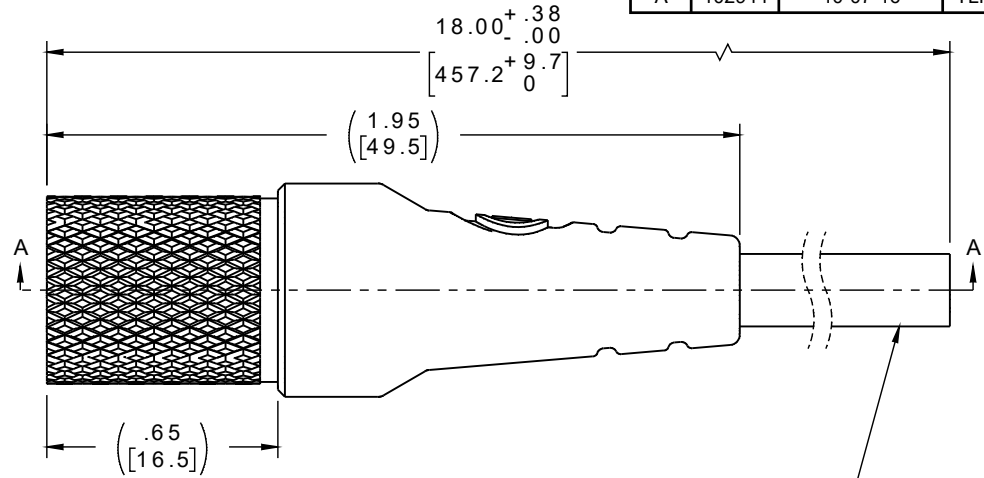
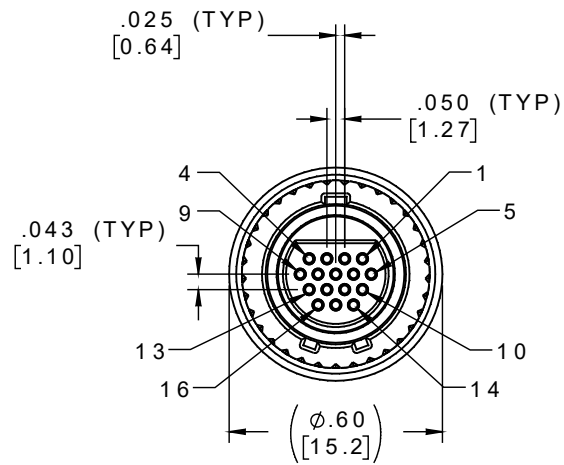
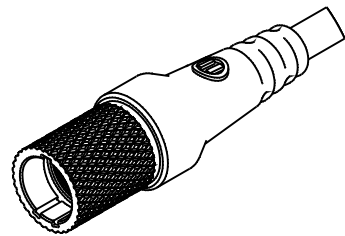


PART NO.	A22469-001	REV	ECO	DATE	APP
		A	102944	10-07-16	TLM

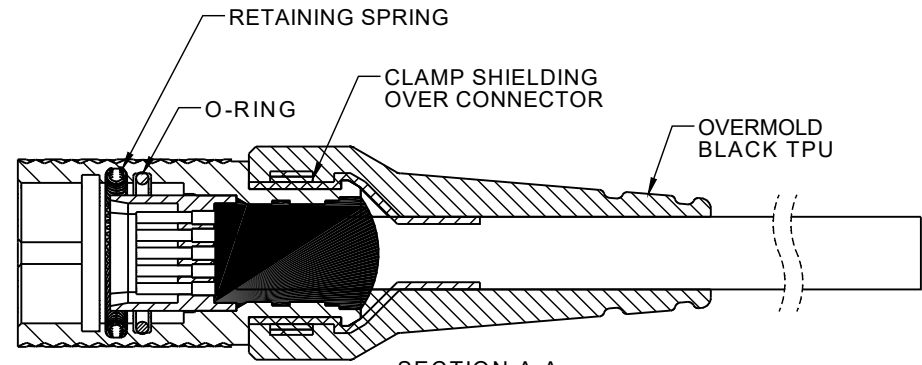


CABLE 26 AWG (7-34), PFA  
16 CONDUCTORS, COLOR CODED W/ SHIELD  
POLYURETHANE BLACK JACKET

SOCKET #	COLOR
1	BLACK
2	BROWN
3	RED
4	ORANGE
5	YELLOW
6	GREEN
7	BLUE
8	VIOLET
9	GRAY
10	WHITE
11	WHT/BLACK
12	WHT/BROWN
13	WHT/RED
14	WHT/ORANGE
15	WHT/YELLOW
16	WHT/GREEN



ACTUAL SIZE  
EXCLUDING CABLE LENGTH



SECTION A-A

INTERNAL USE ONLY  
USE MFG LOADING  
PROCEDURE MC-16S-1

NOTES:

- DIMENSIONS IN [ ] ARE IN MILLIMETERS UNLESS OTHERWISE NOTED AND ARE FOR REFERENCE ONLY
- OVERMOLD PER IPC-WHMA-A-620, CLASS 3

**IP68**

K B M S / S L D W	THIRD ANGLE	THIS DRAWING CONTAINS CONFIDENTIAL AND PROPRIETARY INFORMATION WHICH IS THE PROPERTY OF OMNETICS CONNECTOR CORP. THIS DOCUMENT MAY NOT, IN WHOLE OR IN PART, BE DUPLICATED, OR DISCLOSED FOR ANY PURPOSE, WITHOUT WRITTEN PERMISSION FROM OMNETICS CONNECTOR CORP.	
	-TOLERANCES- UNLESS OTHERWISE NOTED	DFTM. JPF	DATE 04-23-15
	DIMENSIONS IN INCHES	CHK'D.	DATE
	2 PL DEC ± .01 3 PL DEC ± .005 4 PL DEC ± .0005 ANGLES ± 1°	APP'D.	DATE

TITLE:  
(16) SOCKET FEMALE  
MICRO BREAK AWAY  
SEALED CIRCULAR CONNECTOR

**OMNETICS**  
CONNECTOR CORPORATION  
7260 COMMERCE CIRCLE EAST  
MINNEAPOLIS, MN 55432  
WWW.OMNETICS.COM

CAGE CODE 61873	
DWG NO. A22469-001	
SHEET 1 OF 2	REV A
SCALE: 2:1	