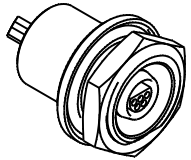
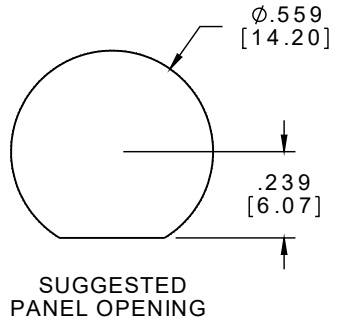
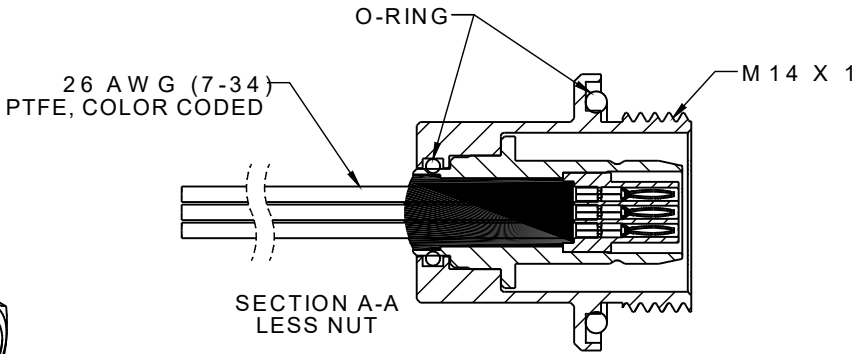
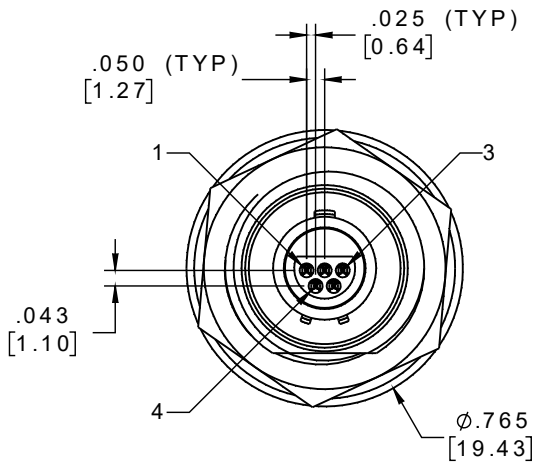
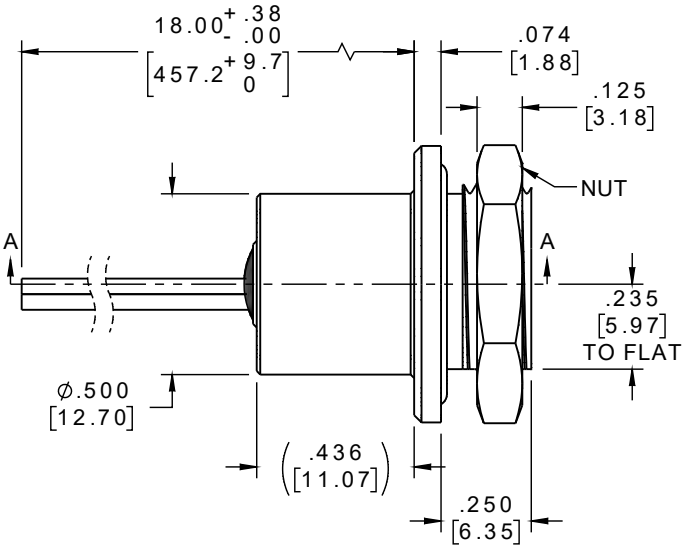


PART NO.	A 22461-001	REV	ECO	DATE	APP
		A	102904	09-24-16	TLM

PIN #	COLOR
1	BLACK
2	BROWN
3	RED
4	ORANGE
5	YELLOW

INTERNAL USE ONLY  
USE MFG LOADING  
PROCEDURE MC-5P



ACTUAL SIZE  
EXCLUDING WIRE LENGTH

**IP68**

NOTES:

1. DIMENSIONS IN [ ] ARE IN MILLIMETERS UNLESS OTHERWISE NOTED AND ARE FOR REFERENCE ONLY

THIRD ANGLE -TOLERANCES- UNLESS OTHERWISE NOTED DIMENSIONS IN INCHES 2 PL DEC ± .01 3 PL DEC ± .005 4 PL DEC ± .0005 ANGLES ± 1°	THIS DRAWING CONTAINS CONFIDENTIAL AND PROPRIETARY INFORMATION WHICH IS THE PROPERTY OF OMNETICS CONNECTOR CORP. THIS DOCUMENT MAY NOT, IN WHOLE OR IN PART, BE DUPLICATED, OR DISCLOSED FOR ANY PURPOSE, WITHOUT WRITTEN PERMISSION FROM OMNETICS CONNECTOR CORP.		<b>OMNETICS</b> CONNECTOR CORPORATION 7260 COMMERCE CIRCLE EAST MINNEAPOLIS, MN 55432 WWW.OMNETICS.COM		CAGE CODE 61873 DWG NO. A22461-001 SHEET 1 OF 2 SCALE: 2:1
	DFTM. JPF	DATE 04-23-15	TITLE: (5) PIN MALE MICRO BREAK AWAY PANEL MOUNT SEALED CIRCULAR CONNECTOR		REV A
	CHK'D.	DATE			
	APP'D.	DATE			

**OMNETICS**  
CONNECTOR CORPORATION  
7260 COMMERCE CIRCLE EAST  
MINNEAPOLIS, MN 55432  
WWW.OMNETICS.COM

CAGE CODE 61873  
DWG NO. A22461-001  
SHEET 1 OF 2  
SCALE: 2:1

REV A