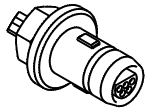
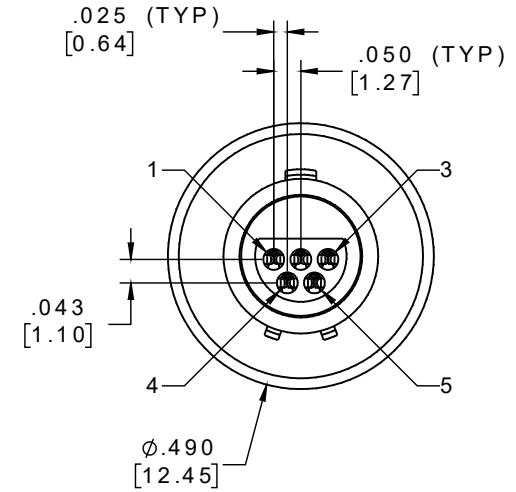
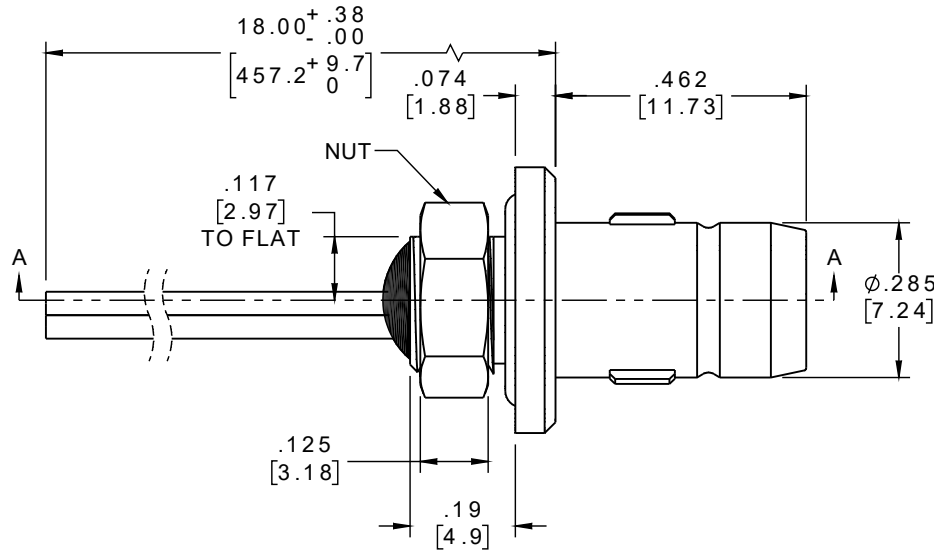


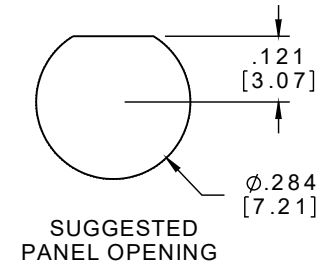
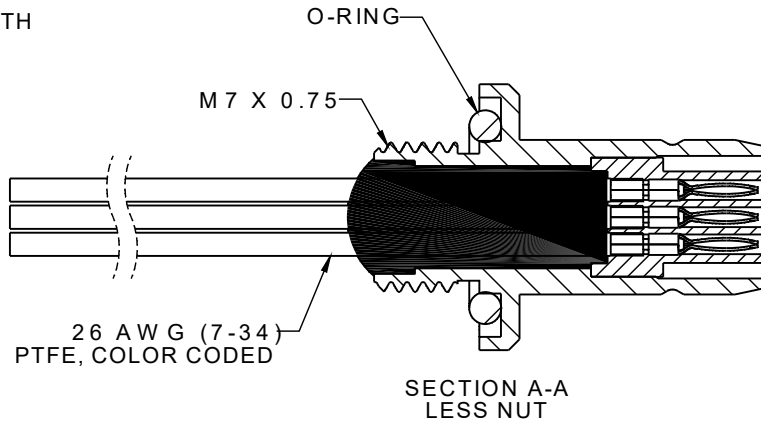
PIN #	COLOR
1	BLACK
2	BROWN
3	RED
4	ORANGE
5	YELLOW

INTERNAL USE ONLY
USE MFG LOADING
PROCEDURE MC-5P

PART NO.	A 22459-001	REV	ECO	DATE	APP
		A	102904	09-24-16	TLM



ACTUAL SIZE
EXCLUDING WIRE LENGTH



NOTES:

1. DIMENSIONS IN [] ARE IN MILLIMETERS UNLESS OTHERWISE NOTED AND ARE FOR REFERENCE ONLY

THIRD ANGLE		THIS DRAWING CONTAINS CONFIDENTIAL AND PROPRIETARY INFORMATION WHICH IS THE PROPERTY OF OMNETICS CONNECTOR CORP. THIS DOCUMENT MAY NOT, IN WHOLE OR IN PART, BE DUPLICATED, OR DISCLOSED FOR ANY PURPOSE, WITHOUT WRITTEN PERMISSION FROM OMNETICS CONNECTOR CORP.		TITLE:	
-TOLERANCES-		DFTM. JPF	DATE 04-23-15	(5) PIN MALE MICRO BREAK AWAY PANEL MOUNT SEALED CIRCULAR CONNECTOR	
UNLESS OTHERWISE NOTED		CHK'D.	DATE		
DIMENSIONS IN INCHES		APP'D.	DATE		
2 PL DEC ± .01					
3 PL DEC ± .005					
4 PL DEC ± .0005					
ANGLES ± 1°					

OMNETICS
CONNECTOR CORPORATION
7260 COMMERCE CIRCLE EAST
MINNEAPOLIS, MN 55432
WWW.OMNETICS.COM

IP68

CAGE CODE 61873	
DWG NO. A22459-001	
SHEET 1 OF 2	REV A
SCALE: 3:1	